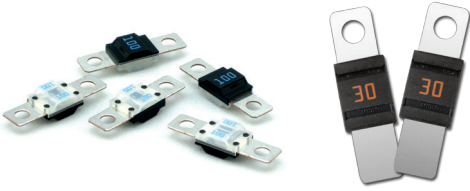


MIDI® Fuses



Clear MIDI® Fuses  
(transparent nylon composite cover)

One Hole MIDI® Fuses

## MIDI®, Clear MIDI®, and One Hole MIDI® Style Bolt-down Fuse Rated 32V

This MIDI® style fuse offers a bolt-on space saving fuse for high current wiring protection and provides time delay characteristics with “Diffusion Pill Technology”. The MIDI® was designed and patented by Littelfuse.

### Specifications

|                              |   |
|------------------------------|---|
| Interrupting Rating:         | 1000A @ 32 VDC                                |
| Voltage Rating:              | 32 VDC  |
| Operating Temperature Range: | -40°C to + 125°C                              |
| Black Housing Material:      | PA-GF25FR                                     |
| Clear Housing Material:      | PA-6/66                                       |
| Terminal:                    | Tin plated Copper                             |
| Mounting Torque M5:          | 4.5 Nm +/- 1Nm                                |
| Mounting Torque M6:          | 6.0 Nm +/- 1Nm                                |
| Complies with:               | ISO 8820-5:2003, UL 248 Special Purpose Fuses |



### Time-Current Characteristics

| % of Rating | Opening Time Min / Max (s) |               |
|-------------|----------------------------|---------------|
|             | 23-125A                    | 150-200A      |
| 75          | - / -                      | 360,000 s / - |
| 100         | 360,000 s / -              | - / -         |
| 110         | 14,400 s / -               | - / -         |
| 150         | 90 s / 3,600 s             | - / -         |
| 200         | 3 s / 100 s                | 1 s / 15 s    |
| 300         | 0.3 s / 3 s                | - / -         |
| 350         | - / -                      | 0.3 s / 5 s   |
| 500         | 0.1 s / 1 s                | 0.1 s / 1 s   |

### Ordering Information

| Part Number      | Package Size | Housing Color | Bolt Size | Bolt Hole Qty | Mfg Location |
|------------------|--------------|---------------|-----------|---------------|--------------|
| 0498xxx.M        | 1000         | Black         | M5        | 2             | Mexico       |
| 0498xxx.M-CN     | 1000         | Black         | M5        | 2             | China        |
| 0498xxx.H        | 100          | Black         | M5        | 2             | Mexico       |
| 0498xxx.MXM6     | 1000         | Black         | M6        | 2             | Mexico       |
| 0498xxx.MXM6-CN  | 1000         | Black         | M6        | 2             | China        |
| 0498xxx.MX1M5    | 1000         | Black         | M5        | 1             | Mexico       |
| 0498xxx.MX1M5-CN | 1000         | Black         | M5        | 1             | China        |
| 0498xxx.MX1M6    | 1000         | Black         | M6        | 1             | China        |
| 0498xxx.MX1M6-CN | 1000         | Black         | M6        | 1             | China        |
| 0498xxx.MXT      | 1000         | Clear         | M5        | 2             | Mexico       |
| 0498xxx.MXT-CN   | 1000         | Clear         | M5        | 2             | China        |
| 0498xxx.MXTM6    | 1000         | Clear         | M6        | 2             | Mexico       |
| 0498xxx.MXTM6-CN | 1000         | Clear         | M6        | 2             | China        |

\* Materials manufactured in Asia are produced to the same specifications as materials manufactured in North America, and meets the same test requirements. Multiple production locations are for capacity expansion only.

### Ratings

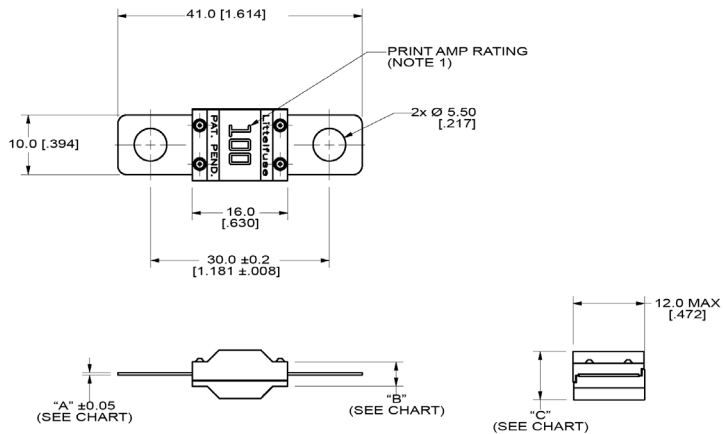
| Part Number              | Current Rating (A) | Font Color | Typ. Voltage Drop max. (mV) | Cold Resistance (mΩ) | I²t (A²s) |
|--------------------------|--------------------|------------|-----------------------------|----------------------|-----------|
| 0498023._ <sup>2</sup>   | 23                 | White      | 90                          | 3.43                 | 1,800     |
| 0498030._ <sup>2</sup>   | 30                 | Orange     | 65                          | 2.06                 | 4,200     |
| 0498040._                | 40                 | Green      | 65                          | 1.398                | 10,000    |
| 0498050._                | 50                 | Red        | 65                          | 1.025                | 13,000    |
| 0498060._                | 60                 | Yellow     | 68                          | 0.865                | 21,700    |
| 0498070._                | 70                 | Brown      | 70                          | 0.72                 | 24,000    |
| 0498080._                | 80                 | White      | 58                          | 0.541                | 24,600    |
| 0498100._                | 100                | Blue       | 60                          | 0.457                | 51,300    |
| 0498125._ <sup>2</sup>   | 125                | Pink       | 71                          | 0.394                | 73,200    |
| 0498150._ <sup>1,2</sup> | 150                | Grey       | 77                          | 0.323                | 81,900    |
| 0498175._ <sup>1,2</sup> | 175                | Black      | 77                          | 0.285                | 100,000   |
| 0498200._ <sup>1,2</sup> | 200                | Purple     | 77                          | 0.261                | 125,000   |

Littelfuse products are not designed for, and shall not be used for, any purpose (including, without limitation, automotive, military, aerospace, medical, life-saving, life-sustaining or nuclear facility applications, devices intended for surgical implant into the body, or any other application in which the failure or lack of desired operation of the product may result in personal injury, death, or property damage) other than those expressly set forth in applicable Littelfuse product documentation. Warranties granted by Littelfuse shall be deemed void for products used for any purpose not expressly set forth in applicable Littelfuse documentation. Littelfuse shall not be liable for any claims or damages arising out of products used in applications not expressly intended by Littelfuse as set forth in applicable Littelfuse documentation. The sale and use of Littelfuse products is subject to Littelfuse Terms and Conditions of Sale, unless otherwise agreed by Littelfuse.

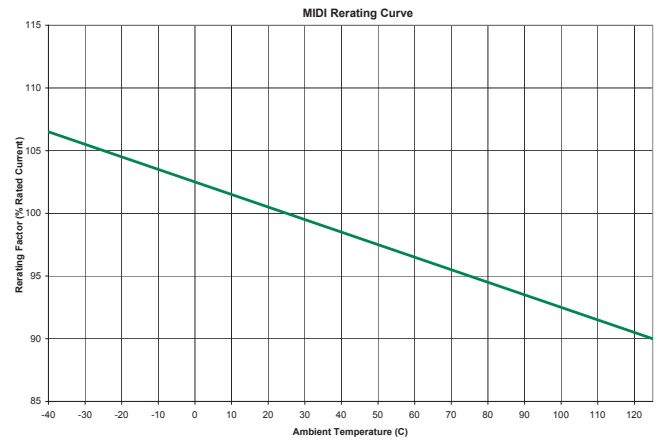
## MIDI®, Clear MIDI®, and One Hole MIDI® Style Bolt-down Fuse Rated 32V

### Dimensions

Dimensions in mm

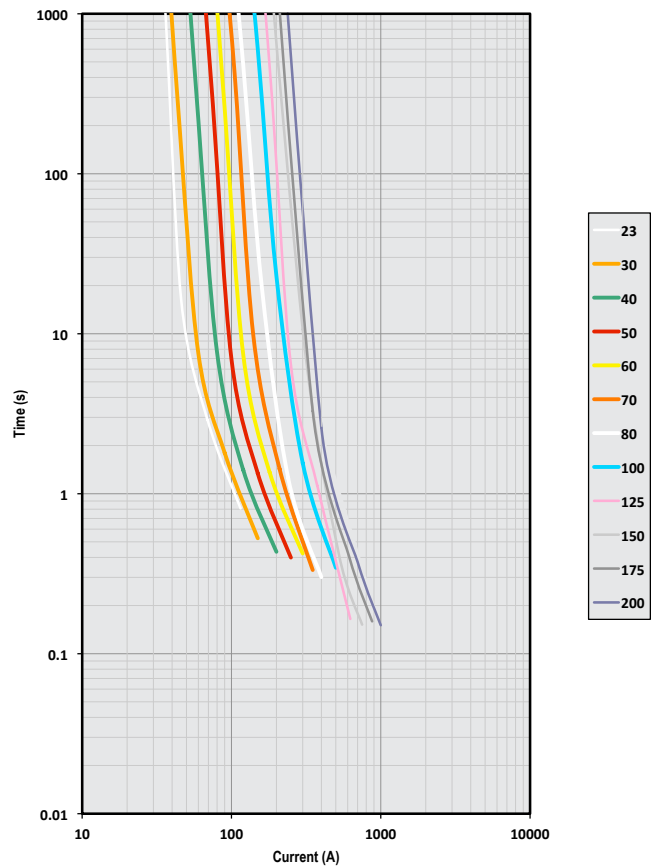


### Temperature Derating Curve



| Part Number | "A" mm (inch) | "B" mm (inch) | "C" mm (inch) |
|-------------|---------------|---------------|---------------|
| 0498023_    | 0.41 (0.016)  | 4.0 (0.157)   | 8.0 (0.315)   |
| 0498030_    | 0.41 (0.016)  | 4.0 (0.157)   | 8.0 (0.315)   |
| 0498040_    | 0.41 (0.016)  | 4.0 (0.157)   | 8.0 (0.315)   |
| 0498050_    | 0.41 (0.016)  | 4.0 (0.157)   | 8.0 (0.315)   |
| 0498060_    | 0.41 (0.016)  | 4.0 (0.157)   | 8.0 (0.315)   |
| 0498070_    | 0.41 (0.016)  | 4.0 (0.157)   | 8.0 (0.315)   |
| 0498080_    | 0.41 (0.016)  | 4.0 (0.157)   | 8.0 (0.315)   |
| 0498100_    | 0.63 (0.025)  | 4.3 (0.169)   | 8.3 (0.327)   |
| 0498125_    | 0.63 (0.025)  | 4.3 (0.169)   | 8.3 (0.327)   |
| 0498150_    | 0.63 (0.025)  | 4.3 (0.169)   | 8.3 (0.327)   |
| 0498175_    | 0.63 (0.025)  | 4.3 (0.169)   | 8.3 (0.327)   |
| 0498200_    | 0.63 (0.025)  | 4.3 (0.169)   | 8.3 (0.327)   |

### Time-Current Characteristic Curves



Littelfuse products are not designed for, and shall not be used for, any purpose (including, without limitation, automotive, military, aerospace, medical, life-saving, life-sustaining or nuclear facility applications, devices intended for surgical implant into the body, or any other application in which the failure or lack of desired operation of the product may result in personal injury, death, or property damage) other than those expressly set forth in applicable Littelfuse product documentation. Warranties granted by Littelfuse shall be deemed void for products used for any purpose not expressly set forth in applicable Littelfuse documentation. Littelfuse shall not be liable for any claims or damages arising out of products used in applications not expressly intended by Littelfuse as set forth in applicable Littelfuse documentation. The sale and use of Littelfuse products is subject to Littelfuse Terms and Conditions of Sale, unless otherwise agreed by Littelfuse.