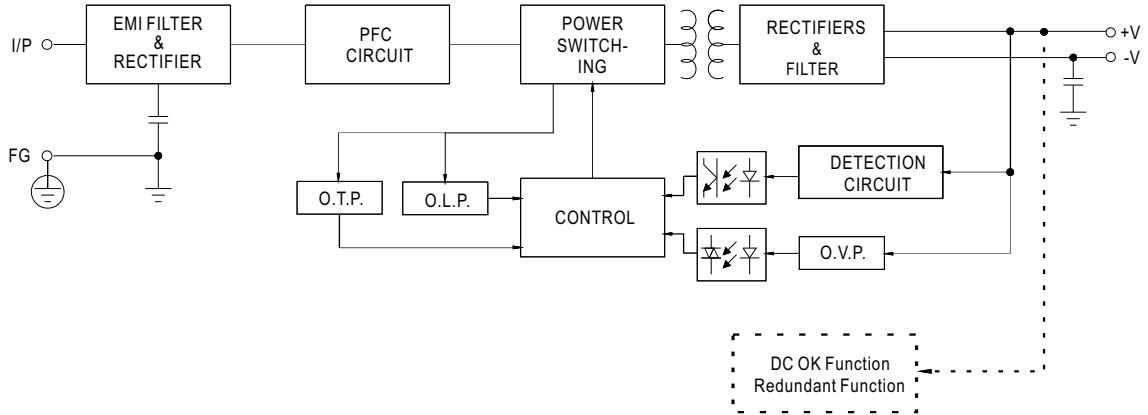
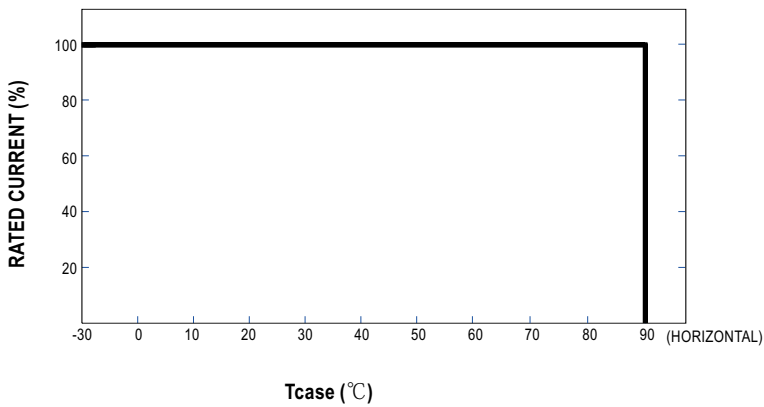
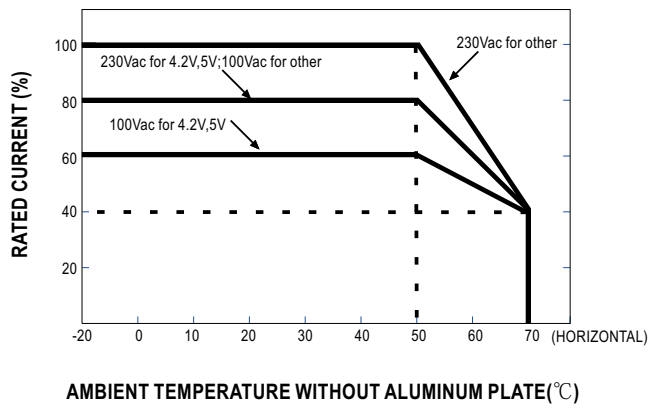
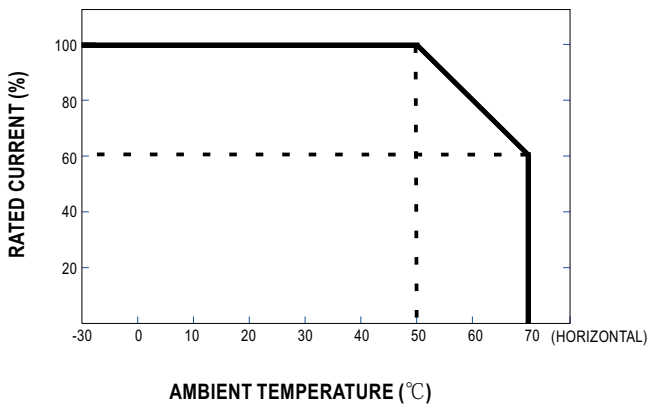


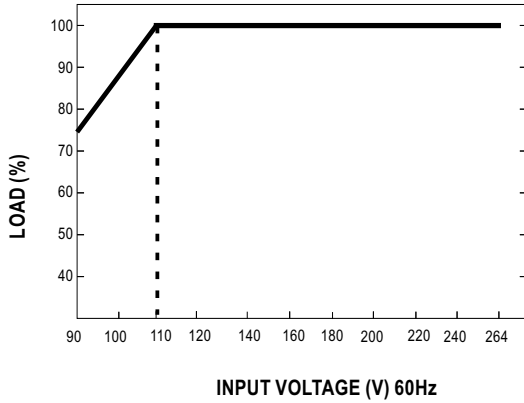
■ Block Diagram



■ Derating Curve



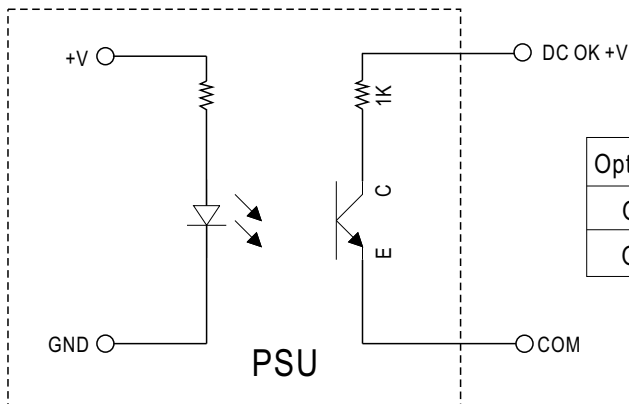
## ■ STATIC CHARACTERISTIC



## ■ Function Manual

### 1. DC\_OK Signal

DC\_OK is a collector shorted signal. It is used by an optocoupler in the power supply which indicates the output status of the power supply as exhibited below.



Optocoupler C-E Pin Conduction	PSU turns on	DC ok
Optocoupler C-E Pin Open	PSU turns off	DC fail
Optocoupler Rating(max.)	15Vdc/10mA resistive load	

### 2. Redundant function

- (1) UHP-200R is built-in redundant function and can be connected 2 units in parallel .
- (2) When in parallel operation the maximum load should not be greater than the rated power of any PSU.

