

# DC-DC Converter Specification(DRAFT)

## MPDTH03060WA\*

### 1. Application

This specification applies to DC-DC Converter for telecommunication/data-communication equipment, MPDTH03060WAS/WAH.

For any other application, please contact us before using this product.

### 2. Customer Reference

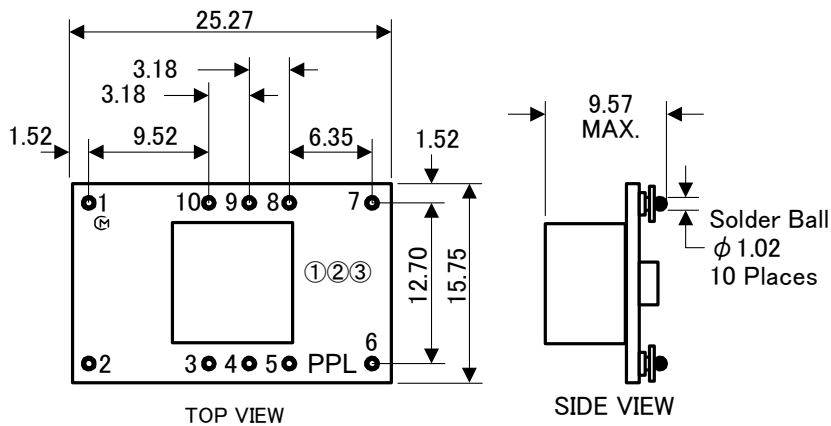
Customer Spec. Number  
Customer Part Number

### 3. Murata Part Number

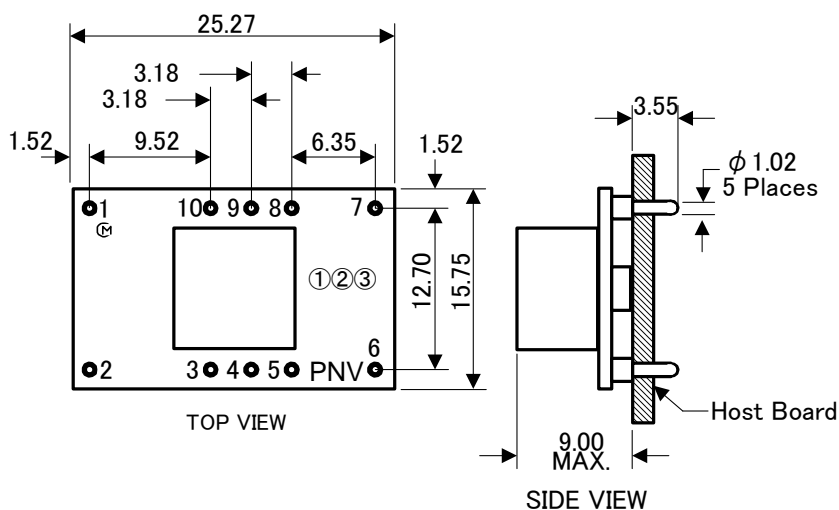
MPDTH03060WAS / MPDTH03060WAH

### 4. Appearance, Dimensions

[WAS]



[WAH]



[unit : mm] Tolerance : 0.25mm

#### ⚠ Note:

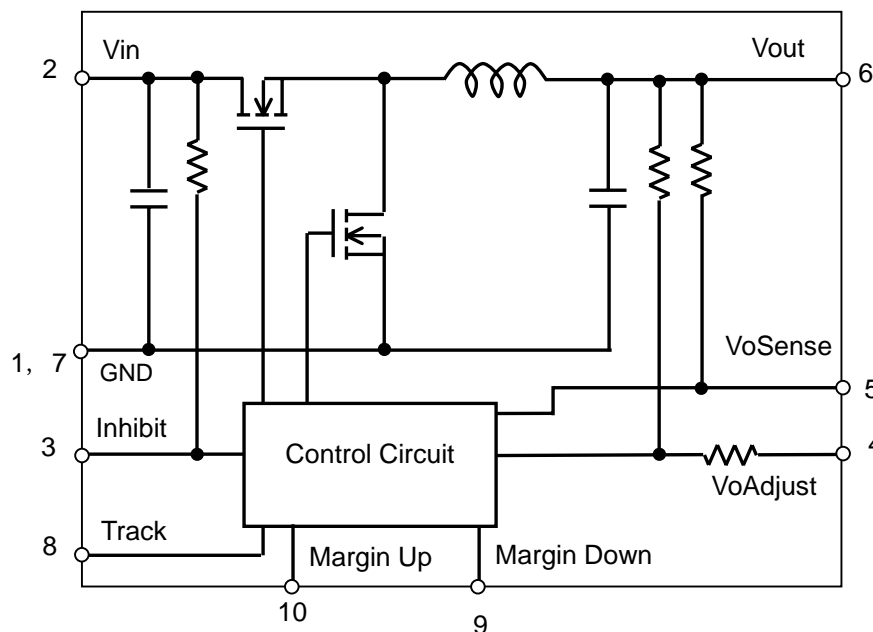
- This datasheet is downloaded from the website of Murata Manufacturing co., ltd. Therefore, it's specifications are subject to change or our products in it may be discontinued without advance notice. Please check with our sales representatives or product engineers before ordering.
- This datasheet has only typical specifications because there is no space for detailed specifications. Therefore, please approve our product specifications or transact the approval sheet for product specifications before ordering.

Marking	(1) MFG ID	Ⓜ
	(2) Parts No.	PPL (designates "WAS" P/N series/ SMD packaging) PNV (designates "WAH" P/N series/ TH packaging)
	(3) Lot No.	①②③
	①	Production factory Mark
	②	Production Year
	③	Production Month (1,2,3,···9,O,N,D)

### 5. Pin Number and Function

Pin No.	Symbol	Function
1	GND	GND
2	Vin	Input
3	Inhibit	Remote ON/OFF
4	VoAdjust	Vout control
5	VoSense	Vout sense
6	Vout	Output
7	GND	GND
8	Track	Tracking signal input
9	Margin Down	Margin down signal input
10	Margin Up	Margin up signal input

### 6. Block Diagram



### 7. Ambient Condition

7.1 Operating Temperature Range	-40 to +85 °C
7.2 Storage Temperature Range	-40 to +125 °C

### 8. Absolute Rating

8.1 Track Pin Input Voltage Range	-0.3V to (Vin + 0.3V)
-----------------------------------	-----------------------

#### ⚠ Note:

- This datasheet is downloaded from the website of Murata Manufacturing co., ltd. Therefore, it's specifications are subject to change or our products in it may be discontinued without advance notice. Please check with our sales representatives or product engineers before ordering.
- This datasheet has only typical specifications because there is no space for detailed specifications. Therefore, please approve our product specifications or transact the approval sheet for product specifications before ordering.