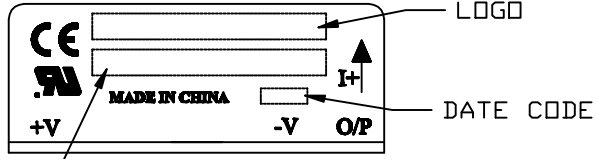


| CAT. LISTING | ISSUE NO. | OPERATING TEMPERATURE | SUPPLY RANGE | | HOUSING MATERIAL | SENSING RANGE | | OUTPUT NOMINAL | MAXIMUM COIL RESISTANCE AT 70°C | NUMBER OF TURNS |
|--------------|-----------|-----------------------|--------------|---------|---------------------|---------------|---------|----------------|---------------------------------|-----------------|
| | | | NOMINAL | MAXIMUM | | NOMINAL | MAXIMUM | | | |
| CSNP661 | 3 | -40°C TO +85°C | ±12V | ±15V | GLASS FILLED P.B.T. | 50A | 90A | ±50mA | 30 Ohms | 1000 ± 1 |
| CSNP661-003 | 3 | -40°C TO +85°C | ±12V | ±15V | | 50A | 90A | ±50mA | 30 Ohms | 1000 ± 1 |
| CSNP661-006 | 3 | -40°C TO +85°C | ±12V | ±15V | | 50A | 90A | ±50mA | 30 Ohms | 1000 ± 1 |
| CSNT651 | 3 | -40°C TO +85°C | ±12V | ±15V | | 50A | 150A | ±25mA | 100 Ohms | 2000 ± 1 |
| CSNG251 | 3 | -40°C TO +85°C | +15V | -15V | | 100A | 180A | ±50mA | 100 Ohms | 2000 ± 1 |
| CSNF661 | 2 | -40°C TO +85°C | ±12V | ±15V | | 100A | 150A | ±100mA | 30 Ohms | 1000 ± 1 |
| CSNF141 | 1 | -25°C TO +85°C | ±12V | ±15V | | 100A | 150A | ±100mA | 50 Ohms | 1000 ± 1 |
| CSNT651-005 | 1 | -40°C TO +85°C | ±12V | ±15V | | 50A | 150A | ±25mA | 100 Ohms | 2000 ± 1 |
| CSNR151-005 | 1 | -40°C TO +85°C | ±12V | ±15V | | 125A | 200A | ±62.5mA | 100 Ohms | 2000 ± 1 |
| CSNR161-004 | 1 | -40°C TO +85°C | ±12V | ±15V | | 125A | 200A | ±125mA | 30 Ohms | 1000 ± 1 |
| CSNF651 | 1 | -40°C TO +85°C | ±12V | ±15V | | 100A | 150A | ±50mA | 100 Ohms | 2000 ± 1 |

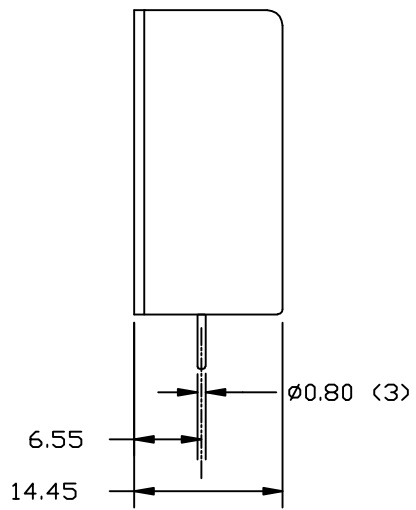
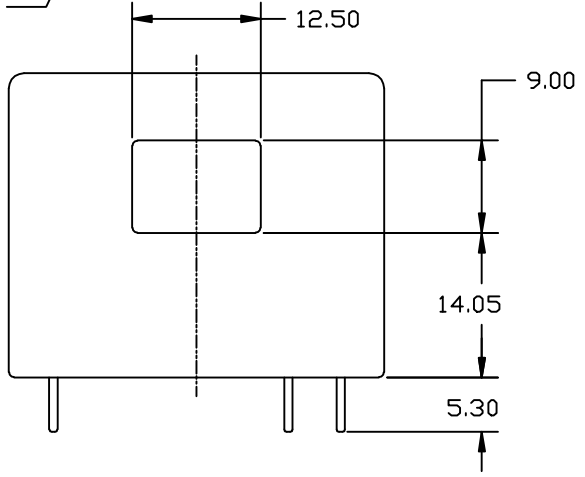
CSN SERIES
MTG-CSN-218

DRAWING NUMBER
6

ISSUE

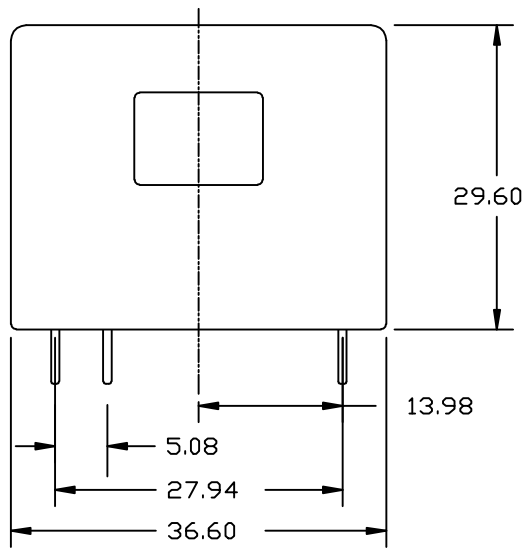


CATALOGUE LISTING



NOTES:-

1. MOUNTING HOLES 0.90 DIA.
2. INK COLOUR BLACK.



DRAWN V. JOHNSTON 2/97

CHECK

DESIGN

AUTHOR

THE COPYRIGHT OF THIS DRAWING IS THE PROPERTY OF HONEYWELL LTD. THE DRAWING IS SUPPLIED IN CONFIDENCE AND MUST NOT BE USED FOR ANY PURPOSE OTHER THAN THAT FOR WHICH IT IS SUPPLIED.

THIRD ANGLE PROJECTION

SCALE 1- 2/1

DIMENSIONS ARE IN MILLIMETRES

MODIFY ON CAD3D SYSTEM ONLY