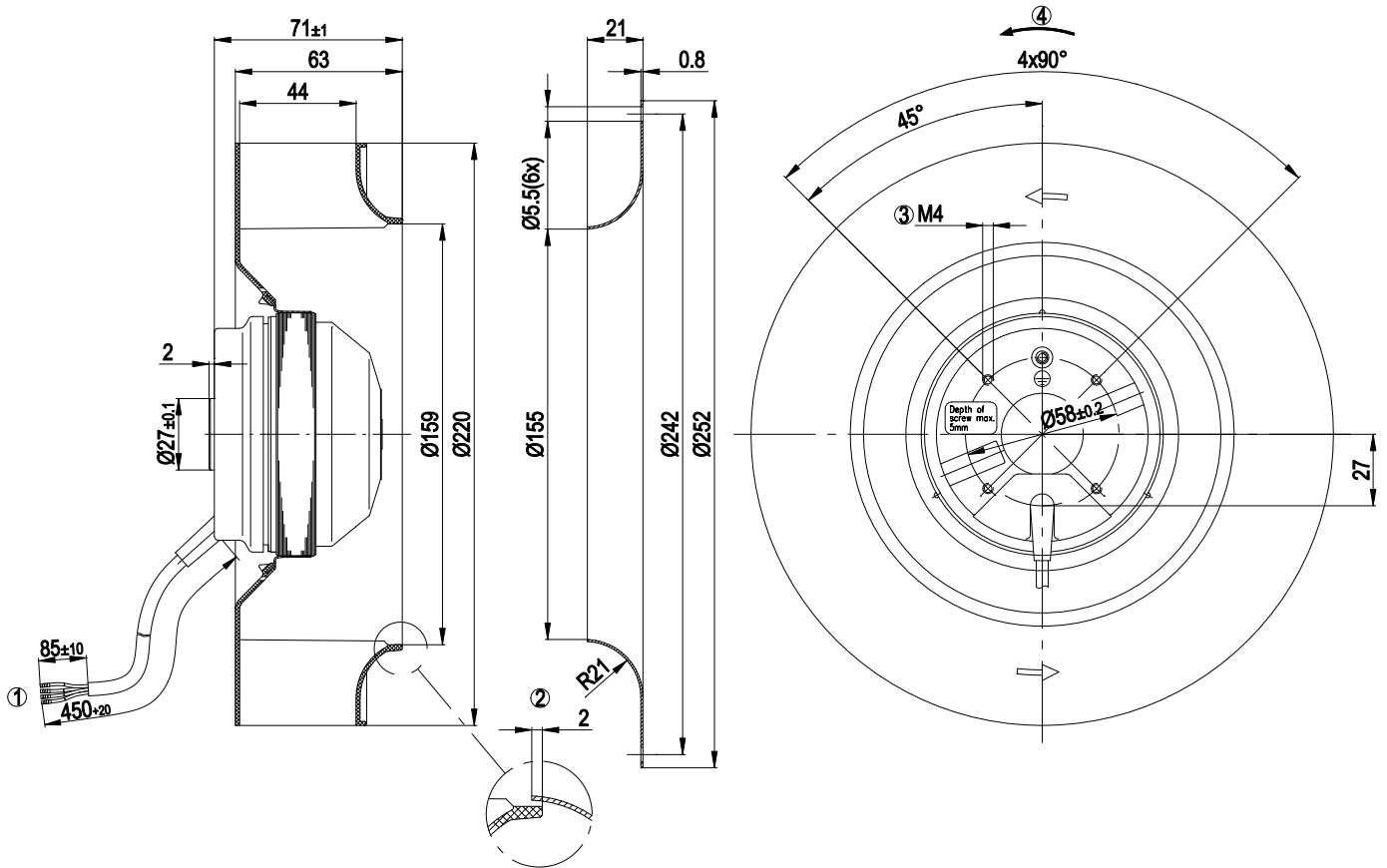


# AC centrifugal fan

backward curved, single inlet

## Product drawing



1	Connection line PVC, 4x brass lead tips crimped
2	Accessory part: Inlet nozzle 09609-2-4013, not included in the standard scope of delivery
3	Screw depth max. 5 mm
4	Direction of rotation clockwise, seen on rotor

