

BCS M30BBM2-PPCFAG-S04G

Order code: BCS007Y

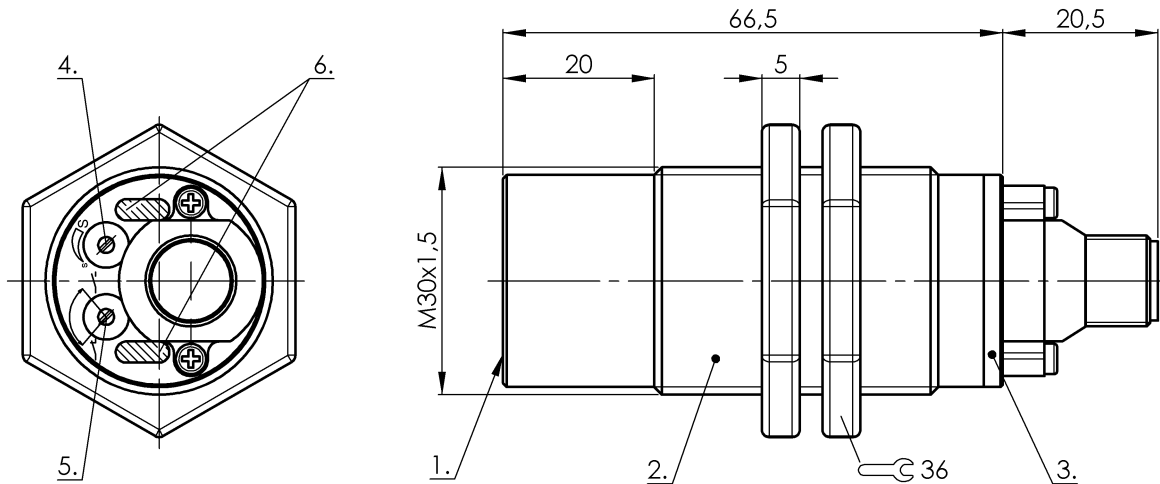
Capacitive Sensor

? x ? x M30x1.5 x ?

BALLUFF

sensors worldwide

Level Sensor
DC, direct current
PNP / Output programmable
non-flush



1) Active surface 2) Housing 3) Top cover 4) Pot 5) NO or NC selectable 6) LED function indicator

Sensing data

Eff. operating distance Sr	?
Tolerance Sr	?
Assured operating distance Sa	?
Working range Sa min.	?
Working range Sa max.	?
Hysteresis H max. (in % of Sr)	?
Repeat accur. R max. (% of Sr)	?
Ambient temperature Ta min.	-10 °C
Ambient temperature Ta max.	60 °C
Temp. drift max. (% of Sr)	?
Temp. drift max. of span	?
Switching freq. f max. (at Ue)	2 Hz
Ready delay tv max.	?
Utilization category	DC 13
Function indicator	Yes
Power indicator	Yes
Additional features	?

Mechanical data

Sensing face material	PBT
Housing material	PBT
Cover material	PBT / PE
Surface protection	?
Thread (A)	?
Tightening torque	4 Nm
Mounting length	38,0 mm
Connection type	Connector
Connector type	M12x1-S04
Recommended connector	?
Enclosure Type per IEC 60529	IP66/IP64 on connector output
Protection Class	?
Shock rating	?
Vibration rating	?
Degree of contamination	?

Approval

Approvals	CE
-----------	----

Remarks

Base type deviation	?
Scope of delivery	2 nuts
Correction factor	?

Application notes for water based media:

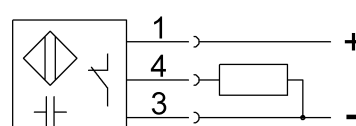
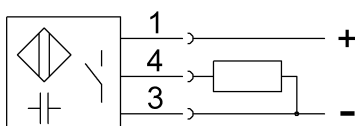
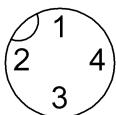
The Smart Level Sensors have been adjusted in the factory for standard applications. With this setting, the Smart Level Sensors are suitable for detecting water based liquids through glass or plastic walls without any further adjustment. The factory setting can automatically mask out glass or plastic walls (approx. 0.5 mm to 6 mm), and compensates within wide limits for foam, moisture and material build up to the inside and outside of the tank concerned.

Specialized applications:

The Smart Level Sensors can also be used with water based liquids in hitherto insoluble and critical applications, e.g. with glass or plastic walls thicker than 6 mm. For this purpose, the factory

Electrical data

Eff. operating voltage Ue DC	?
Operating voltage UB min. DC	10,0 V
Operating voltage UB max. DC	35,0 V
Ripple max. (% of Ue)	10 %
Voltage drop static max.	1,8 V
Rated insulation voltage Ui	75 DC
Eff. operating current Ie	300 mA
Minimum operating current Im	?
No-load current Io damped	20,0 mA
No-load current Io undamped	?
Off-state current Ir max.	?
Short circuit protected	Yes
Protected against miswiring	Yes
Polarity reversal protected	?
Rated short circuit current	?
Load capacitance max. (at Ue)	?



00000110242/16696/1/20090722