



RSF150 Series

Compact internal fitting vertical



- **Electrical connection via M12 connector**
- **Available in Nylon, Polypropylene & PPS**
- **25VA & 100VA versions**
- **Many variants are UL recognised components File No. E171218**
- **WRAS approved versions**

Technical Specification	RSF153	RSF154	RSF158	RSF156
Material	Nylon	Polypropylene WRAS approved	Polypropylene UL approved	Polyphenylene Sulphide (PPS)
Colour	Black	Opaque	White	Grey
Temp. Range °C	-20 / +75	-20 / +100	-20 / +100	-10 / +120 *
°F	-4 / +167	-4 / +212	-4 / +212	+14 / +248 *
Min. Fluid SG	0.8	0.65	0.8	0.85
Must close level (SG=1)	11.5mm	15mm	15mm	9.5mm
Must open level (SG=1)	22.5mm	26mm	26mm	20.5mm

RSF150 series are compact vertically mounted devices with a single switch point. Mounting is either from the top or bottom of a tank from the inside, so requires access to the inside of the tank.

These have M12 circular connectors for electrical connection.

Cables are available for use with M12 connectors.

Typical applications include vending machines, printing systems and chemical dosing equipment.

These can be manufactured in a variety of plastics, with a choice of gasket materials, to suit most commonly used liquids.

The switch action may be reversed by removing the float, inverting it, then refitting to the stem.

Electrical Specification	25W (Y code)	100W (H code)
Contact Form	N/O (N/C)	N/O (N/C)
Switching Power Max	VA	100
Switching Voltage AC Max	V	240
Switching Voltage DC Max	V	120
Switching Current Max	A	0.6
		1

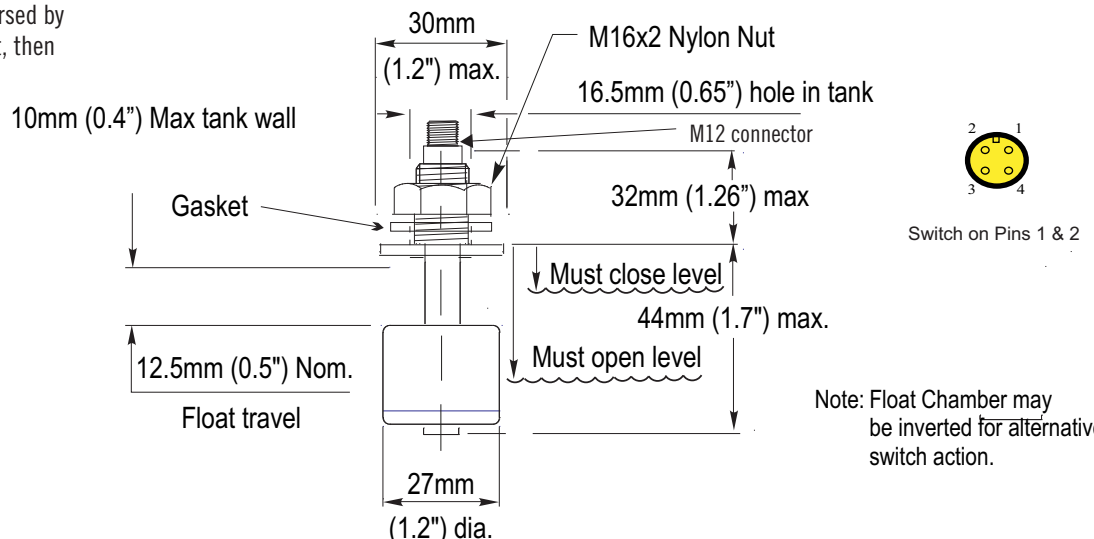
All ratings are for resistive load only.

Standard Parts	Material	Temp Range	Max Power	Connection	Gasket	Approvals
RSF153HFP	Nylon	-20°C to +75°C	100VA	M12 circular	Nitrile	WRAS
RSF153YFP	Nylon	-20°C to +75°C	25A	M12 circular	Nitrile	WRAS
RSF154HFP	Polypropylene	-20°C to +100°C	100VA	M12 circular	Nitrile	WRAS
RSF154YFP	Polypropylene	-20°C to +100°C	25VA	M12 circular	Nitrile	WRAS
RSF156HFP	PPS	-10°C to +105°C	100VA	M12 circular	Nitrile	WRAS & UL
RSF156YFP	PPS	-10°C to +105°C	25VA	M12 circular	Nitrile	WRAS & UL
RSF158HFP	PP (UL)	-20°C to +100°C	100VA	M12 circular	Nitrile	UL

Custom versions can be made for particular applications. Please contact Cynergy3 with your requirements.

Mechanical Dimensions

All dimensions are in millimeters (inches)



Cynergy3 Components Ltd.
7 Cobham Road
Ferndown Industrial Estate
Wimborne, Dorset BH21 7PE
Telephone +44 (0) 1202 897969
Email: sales@cynergy3.com

ISO9001 CERTIFIED

www.cynergy3.com