

19 mm (0.75") DIAMETER STAINLESS STEEL COMPRESSION LOAD CELL STANDARD AND METRIC MODELS

Compression

0-25 lb to 0-1000 lb

0-100 to 0-5000 N

1 Newton = 0.2248 lb

1 daNewton = 10 Newtons

1 lb = 454 g

1 t = 1000 kg = 2204 lb

LC302/LCM302 Series



Standard

- ✓ Small 19 mm (0.75") Dia.
- ✓ Low 13 mm (0.5") Profile
- ✓ Robotic and Test Bench Applications
- ✓ Built-In Load Button for Easy Installation
- ✓ 5-Point Traceable Calibration Provided

The LC302/LCM302 Series load cells are only 19 mm (¾") in diameter and fit in the smallest places. Their high ±0.5% accuracy and small package solve many industrial force measurement applications. The all stainless steel construction and high-quality strain gage ensure long-term reliability.

SPECIFICATIONS

Excitation: 5 Vdc, 15 Vdc max

Output: 1 mV/V (nominal)

Accuracy: ±0.5% FSO linearity, hysteresis, repeatability combined

5-Point Calibration:

0%, 50%, 100%, 50%, 0%

Zero Balance: ±2% FSO

Operating Temp Range:

-54 to 107°C (-65 to 225°F)

Compensated Temp Range:

16 to 71°C (60 to 160°F)

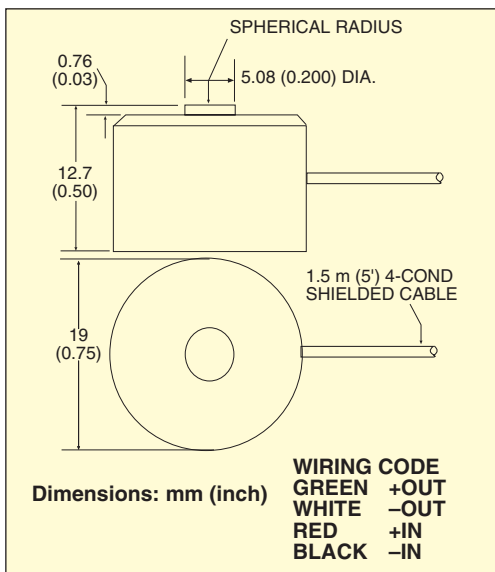
Compensation Temp:

Zero: 0.009% FSO/°C

Span: 0.036% FSO/°C

Safe Overload: 150% of capacity

Protection Class: IP54



Deflection: 0.03 to 0.08 mm (0.001 to 0.003")

Ultimate Overload: 300% of capacity

Bridge Resistance: 350 Ω minimum

Construction: Stainless steel

Electrical Connection: 1.5 m (5') 4-conductor insulated cable with temperature compensation board

STANDARD MODELS

| To Order | | | |
|----------|------|-----------|-----------------------|
| CAPACITY | | MODEL NO. | COMPATIBLE METERS |
| lb | N | | |
| 25 | 111 | LC302-25 | DPiS, DP41-S, DP25B-S |
| 50 | 222 | LC302-50 | DPiS, DP41-S, DP25B-S |
| 100 | 445 | LC302-100 | DPiS, DP41-S, DP25B-S |
| 250 | 1112 | LC302-250 | DPiS, DP41-S, DP25B-S |
| 500 | 2224 | LC302-500 | DPiS, DP41-S, DP25B-S |
| 1000 | 4448 | LC302-1K | DPiS, DP41-S, DP25B-S |

METRIC MODEL

| CAPACITY | | MODEL NO. | COMPATIBLE METERS |
|----------|------|-------------|--------------------------|
| N | lb | | |
| 100 | 22.5 | LCM302-100N | iSeries, DP41-S, DP25B-S |
| 200 | 45 | LCM302-200N | iSeries, DP41-S, DP25B-S |
| 500 | 112 | LCM302-500N | iSeries, DP41-S, DP25B-S |
| 1000 | 225 | LCM302-1KN | iSeries, DP41-S, DP25B-S |
| 2000 | 450 | LCM302-2KN | iSeries, DP41-S, DP25B-S |
| 5000 | 1124 | LCM302-5KN | iSeries, DP41-S, DP25B-S |

Comes complete with 5-point NIST-traceable calibration and 59 kΩ shunt data.

* Visit us online for compatible meters.

Ordering Examples: LC302-25, 25 lb capacity load cell.

LC302-100, 100 lb capacity load cell.

LCM302-100N, 100 Newton capacity load cell.

LCM302-2KN, 2000 N capacity load cell.