

# Industrial Pressure Sensors, Intrinsically Safe, Model IP IS

Table 4. Electrical Specifications at 25 °C [77 °F] and a rated excitation, unless otherwise noted

Characteristic	Parameter
Zero output	4 mA
Full scale span (FSS)	16 mA (4 mA to 20 mA)
Excitation	9 Vdc to 28 Vdc

Table 5. Order Codes and Descriptions

These are examples of common configurations that are available. Please refer to the “Nomenclature and Order Guide” below for all possible product configurations. Order via Test and Measurement’s web site <http://measurementsensors.honeywell.com> or call our Inside Sales Team +1 614-850-5000 or 1-800-848-6564.

Order Code	Description
IPG1BR,1BA, 2AE, 5A, 6A	Model IPG, ±0.15 % accuracy, 100 psi, -10 °C to 85 °C [14 °F to 185 °F], 4 mA to 20 mA, 1/4 NPT Female, Bendix connector
IPG2CN,1BA, 2AE, 5F, 6M	Model IPG, ±0.25 % accuracy, 250 psi, -10 °C to 85 °C [14 °F to 185 °F], 4 mA to 20 mA, G1/4 B Female, DIN 43650 connector
IPG1CV,1BA, 2AE, 5B, 6N	Model IPG, ±0.15 % accuracy, 1000 psi, -10 °C to 85 °C [14 °F to 185 °F], ], 4 mA to 20 mA, 1/4 NPT male, Mini DIN 40050 connector
IPG1DL,1BA, 2AE, 5G, 6M	Model IPG, ±0.15 % accuracy, 2000 psi, -10 °C to 85 °C [14 °F to 185 °F], ], 4 mA to 20 mA, 1/4 B male, DIN 43650 connector

Figure 2. Product Nomenclature

Combine the order code and options code.

**IPG1BR**    **1BA,2AE,5A,6M**

Order code      Options code

IPG		1		BR		1BA		2AE		5A		6M			
Pressure Type		Accuracy		Range		Temperature Compensation		Electrical Output		Pressure Connection		Electrical Termination			
<b>IPG</b>	Gage	<b>1</b>	0.15 %	<b>BR</b>	100 psi	<b>NB</b>	7 bar	<b>1BA</b>	-10 °C to 85 °C [14 °F to 185 °F]	<b>2AE</b>	4 mA to 20 mA with I.S.	<b>5A</b>	1/4-18 NPT female	<b>6A</b>	Bendix PTIH-10-6P
		<b>2</b>	0.25 %	<b>CJ</b>	150 psi	<b>MH</b>	10 bar					<b>5B</b>	1/4-18 NPT male	<b>6M</b>	DIN 43650 standard
				<b>CL</b>	200 psi	<b>NY</b>	16 bar					<b>5D</b>	7/16-20 UNF male	<b>6N</b>	DIN 40050 (Mini)
				<b>CN</b>	250 psi	<b>NZ</b>	25 bar					<b>5F</b>	1/4 B female		
				<b>CR</b>	500 psi	<b>PB</b>	40 bar					<b>5G</b>	1/4 B male		
				<b>CT</b>	750 psi	<b>PC</b>	60 bar								
				<b>CV</b>	1000 psi	<b>ML</b>	100 bar								
				<b>DJ</b>	1500 psi	<b>PD</b>	160 bar								
				<b>DL</b>	2000 psi	<b>NL</b>	250 bar								
				<b>DN</b>	3000 psi	<b>NG</b>	350 bar								
				<b>DR</b>	5000 psi										

# Industrial Pressure Sensors, Intrinsically Safe, Model IP IS

Figure 2. Mounting Dimensions

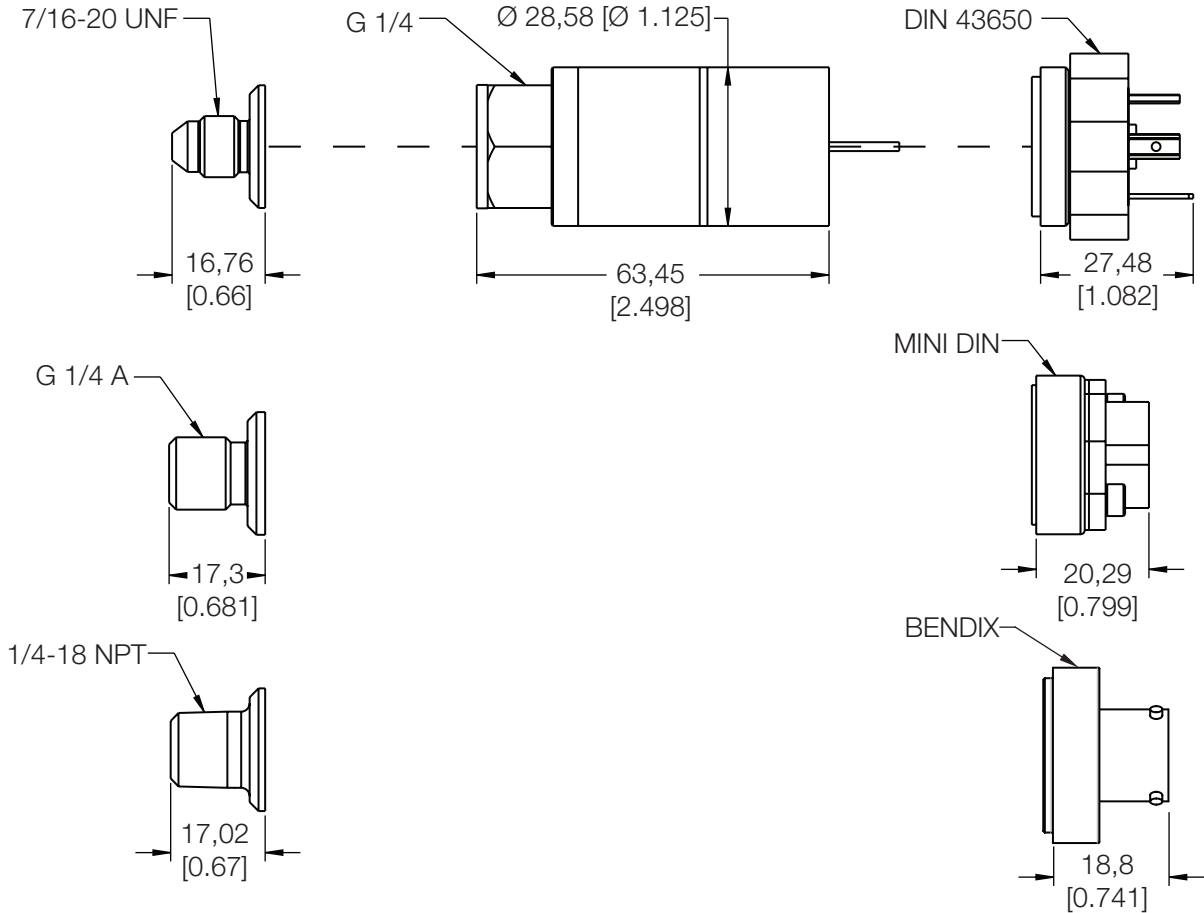


Figure 3. External Wiring Diagram - Bendix Connector

2AE AMP, 3-Cond, 6-Pin, GND

Pin	Designation
A	(+) supply
B	N/C
C	N/C
D	(+) output
E	Case ground
F	N/C

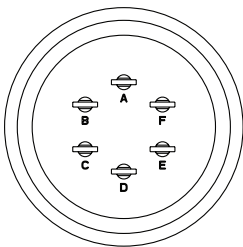


Figure 4. External Wiring Diagram - DIN 43650 Connector

2AE AMP, 3-Cond, 4-Pin, GND

Pin	Designation
1	(+) supply
2	(+) output
3	Case ground
4	N/C

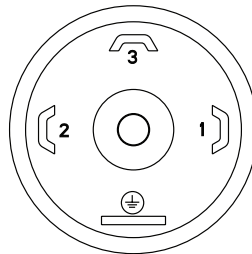


Figure 5. External Wiring Diagram - Mini DIN 40050 Connector

2AE AMP, 3-Cond, 4-Pin, GND

Pin	Designation
1	(+) supply
2	(+) output
3	Case ground
4	N/C

