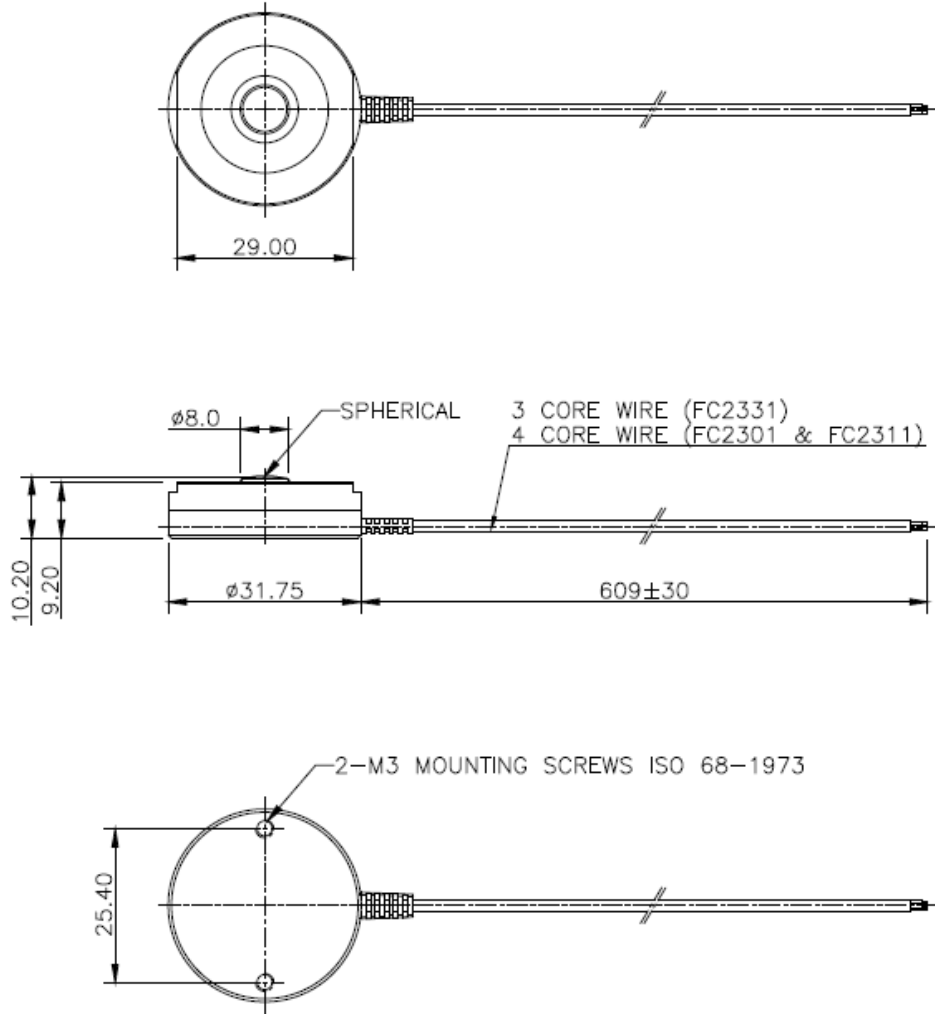
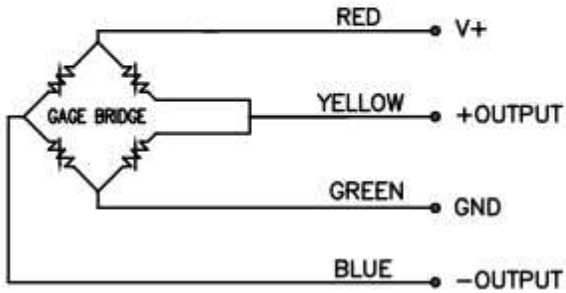


**DIMENSIONS**

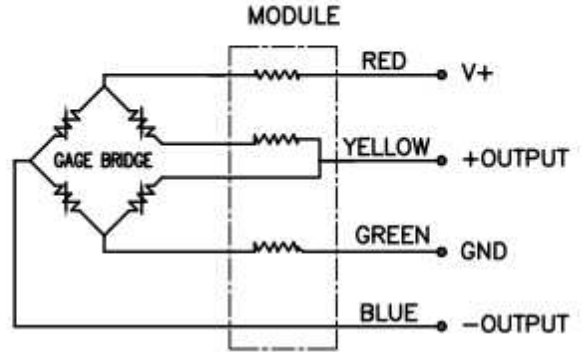


**CONNECTIONS**

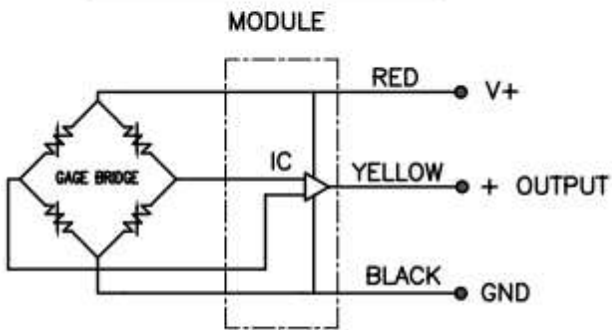
**FC2301:**  
MILLIVOLT OUTPUT VERSION



**FC2311:**  
MILLIVOLT OUTPUT VERSION



**FC2331:**  
AMPLIFIED OUTPUT VERSION



**WIRE NOTE:**

P/N	WIRE CONNECTIONS
FC2301 FC2311	4 CORE WIRE (AWG32 OR AWG34, 125°C, 300V) YELLOW: +OUTPUT BLUE: -OUTPUT RED: V+ GREEN: GND
FC2331	3 CORE WIRE (AWG32 OR AWG34, 125°C, 300V) RED: V+ YELLOW: +OUTPUT BLACK: GND

