

# Isolation Amplifier bipolar

optionally with adjustable cut-off frequency

## AD-TV 810 GS

### Description

The separation amplifier of type family AD-TV 810 serves the galvanic separation, conversion and amplification of bipolar signal sizes. The very high frequency range allows direct current as well as alternating current transfers. Input, output and the supply voltage are galvanically separated from each other. The output signal is dependent on the connected load up to a maximum value. The limit frequency of the amplifier can be set at the front as an option.

### Application

Recording, galvanic 2-way separation, conversion and amplification of bipolar measuring sizes (voltage or current).

### Specification

Construction type:	1 channel switchboard housing
Power supply:	ALLPOWER 20-253V AC/DC internal galvanical separated approx. 2,5 VA or 4 W
Power consumption:	voltage or current, bipolar e.g. +/-20 mA or +/-10 V
Input (*):	current: 50 Ohm / 20mA voltage: 10kOhm/V
Input-resistance:	voltage or current, bipolar
Output (*):	current: max. 500 Ohm
Output-load:	voltage: min. 1 kOhm
Linearity:	< 0,2%
Ripple frequency:	< 10 mVss
Effect of temperature:	< 100 ppm/K
Cut-off frequency:	20 kHz (-3 db)
Optionally adjustable:	20kHz; 2kHz; 1kHz; 500Hz; 100Hz
Insulation test:	input/output 2 kV RMS signal/power supply: 4 kV RMS
Protective systems:	input/output: against over-voltage, over-current, confusing the poles power-rack: against over-voltage, over-current, over-temperature
Ambient temperature:	0 - 50°C



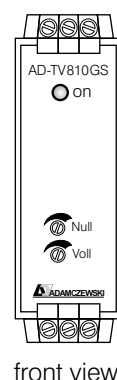
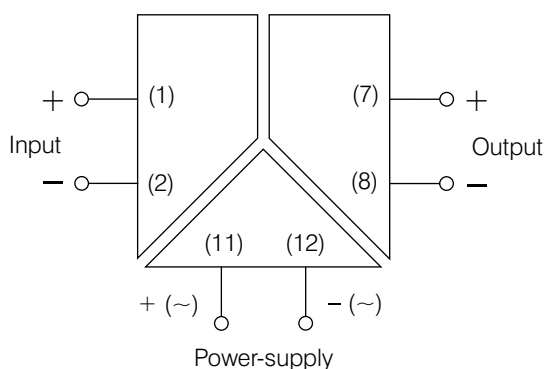
(\* ) Values must be advised by order

### Connections and dimensions: AD-TV 810 GS

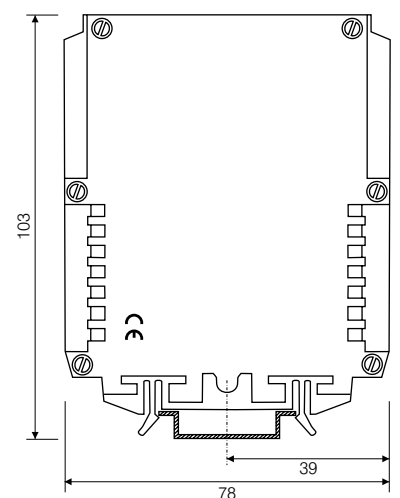
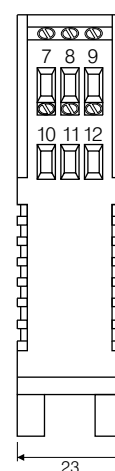
Input: analog input-signal bipolar  
Output: analog output-signal bipolar

weight: ca. 200 g  
protection: IP 20  
manner of fastening:  
DIN rail: NS35/7,5

connection data:  
fine-wire: 2,5 mm<sup>2</sup>  
single-wire: 4,0 mm<sup>2</sup>  
max. voltage: 250 V~



front view



Printed 03/2008. We reserve the right for technical changes



**ADAMCZEWSKI**  
Elektronische Messtechnik GmbH

Felix-Wankel-Str. 13  
Tel. +49 (0)7046-875  
vertrieb@ad-messtechnik.de

74374 Zaberfeld  
Fax +49 (0)7046-7678  
www.adamczewski.com