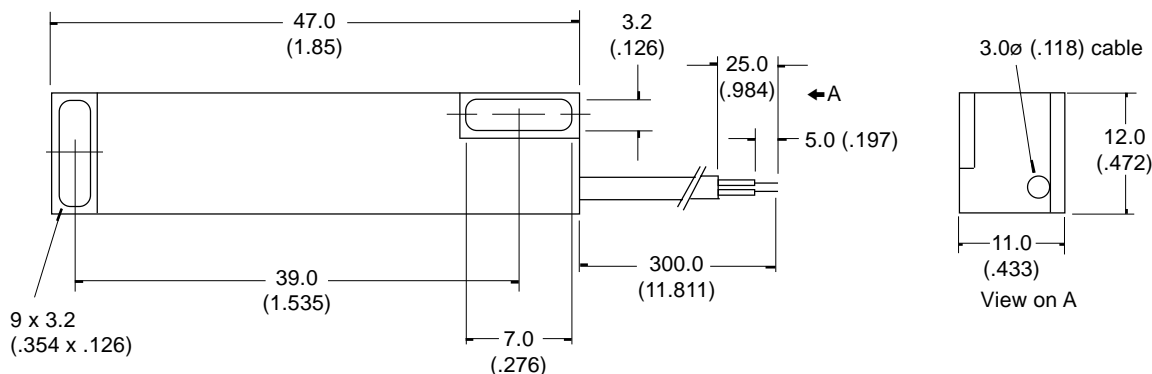


Comus Group of Companies

PRODUCT DATA SHEET

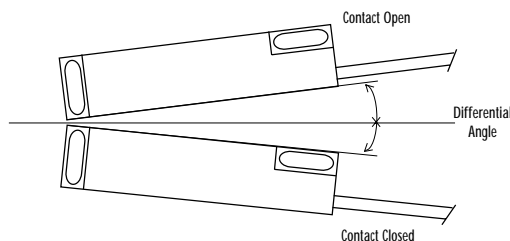


Manufactured in the UK



Drawings not to scale
All dimensions in mm (inches) nominal

These switches operate when tilted from the horizontal position. The switch movement required to cause contact change (example off to on) is called the differential angle. It is very important when designing a tilt switch to allow for the differential angle and understand that when in the horizontal position the switch contact may be open or closed.



This module operates with the housing in any orientation.

SPECIFICATION

CONTACT FORM/STYLE		See above
SWITCHING VOLTAGE	Max. Vac	60Vac/dc
SWITCHING CURRENT	Max. A	0.25
SWITCHING CAPACITY (RESISTIVE)	Max. VA	3
DIFFERENTIAL ANGLE	Max. Deg.°	15
CONTACT RESISTANCE	Max. mΩ	30
OPERATING TEMPERATURE	Deg. °C	-20° +70°
STORAGE TEMPERATURE	Deg. °C	-25° +70°
CASE MATERIAL		ABS
CABLE / TERMINATION		2 x 0.14 ² PVC insulated
FEATURES		Easy fitting

This product is fully sealed to give maximum mechanical protection and minimise the ingress of dust and moisture. As a guide, the product is expected to meet the requirements of IP65.

TILT SWITCH MODULE - Non Mercury Contacts

PART NUMBER
S1039CW

Rev. No.	Revision Note	Date	Signature
D	Web Site 2001	1-2-01	RG

The Comus Group of Companies consist of:
Assemtech Europe Limited
E. Bachem GmbH
Comus International
W. Gunther GmbH
Gunther Belgium
Gunther France
S.I.G.

As part of the company policy of continued product improvement, specifications may change without notice. Our sales office will be pleased to help you with the latest information on this product range and details of our full design and manufacturing service. All products are supplied to our standard conditions of sale otherwise agreed in writing.