



# RSF70 Series

## Compact external fitting via compression seal

- Compression seal fitting
- Flying Lead or M12 plug connection
- Available in Nylon, Polypropylene & PPS
- 25VA & 100VA versions available
- Many variants are UL recognised components File No. E171218
- WRAS Approved versions available



| Technical Specification | RSF73     | RSF74                          | RSF78                        | RSF76                           |
|-------------------------|-----------|--------------------------------|------------------------------|---------------------------------|
| Material                | Nylon     | Polypropylene<br>WRAS approved | Polypropylene<br>UL approved | Polyphenylene<br>Sulphide (PPS) |
| Colour                  | Black     | Opaque                         | White                        | Grey                            |
| Temp. Range °C          | -20 / +75 | -20 / +100                     | -20 / +100                   | -10 / +120 *                    |
| Temp. Range °F          | -4 / +167 | -4 / +212                      | -4 / +212                    | +14 / +248 *                    |
| Min. Fluid SG           | 0.85      | 0.85                           | 0.80                         | 0.85                            |
| Must close level (SG=1) | 7mm       | 8mm                            | 8mm                          | 9mm                             |
| Must open level (SG=1)  | 20mm      | 20mm                           | 20mm                         | 24mm                            |

\* Maximum temperature requires ETFE cable to be specified.

| Electrical Specification | 25W (Y code) | 100W (H code) |
|--------------------------|--------------|---------------|
| Contact Form             | N/O (N/C)    | N/O (N/C)     |
| Switching Power Max      | VA           | 100           |
| Switching Voltage AC Max | V            | 240           |
| Switching Voltage DC Max | V            | 120           |
| Switching Current Max    | A            | 0.6           |

All ratings are for resistive load only.

RSF70 series is designed for fitting through a tank wall from the outside, where access to the inside for fitting is not possible.

Typical applications include vending machines, commercial dishwashers and auxiliary tanks on vehicles.

These are manufactured in a variety of plastics, with a choice of gasket materials, to suit most commonly used liquids.

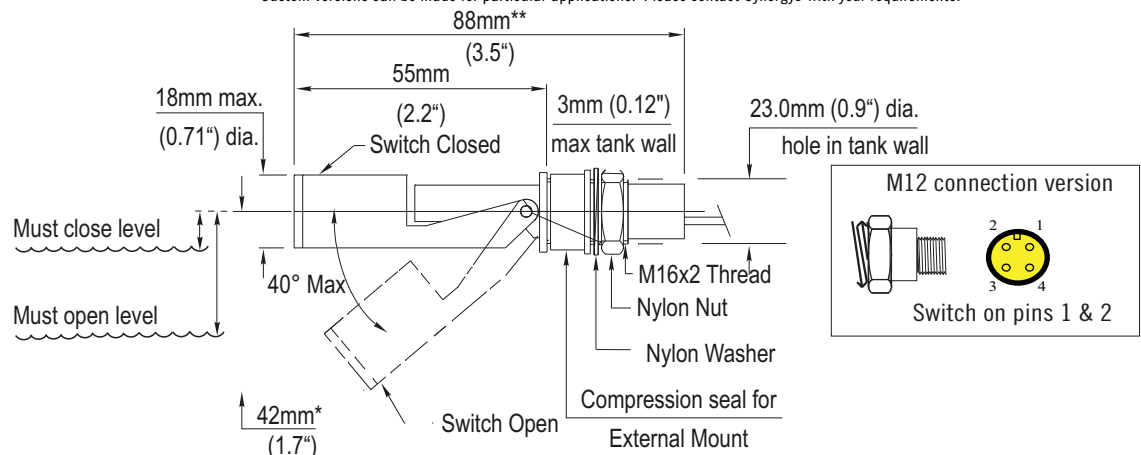
The switch action may be reversed by mounting the device with the float able to move upwards away from the body, instead of the more normal downwards direction.

Available with either flying leads or M12 socket for electrical connection. Cable sets with M12 plugs are also available.

| Standard Parts | Material      | Max Power | Leadouts          | Gasket   | Approvals |
|----------------|---------------|-----------|-------------------|----------|-----------|
| RSF73H100RN    | Nylon         | 100VA     | 100cm PVC 16/0.2  | Nitrile  | WRAS      |
| RSF73Y100RN    | Nylon         | 25VA      | 100cm PVC 16/0.2  | Nitrile  | WRAS      |
| RSF73Y100RM    | Nylon         | 25VA      | 100cm PVC 16/0.2  | Silicone | WRAS      |
| RSF74H100RN    | Polypropylene | 100VA     | 100cm PVC 16/0.2  | Nitrile  | WRAS      |
| RSF74Y100RN    | Polypropylene | 25VA      | 100cm PVC 16/0.2  | Nitrile  | WRAS      |
| RSF74Y100RM    | Polypropylene | 25VA      | 100cm PVC 16/0.2  | Silicone | WRAS      |
| RSF76H050TV    | PPS           | 100VA     | 50cm ETFE 19/0.2  | Viton    | WRAS & UL |
| RSF76H100RN    | PPS           | 100VA     | 100cm PVC 16/0.2  | Nitrile  | WRAS & UL |
| RSF76Y050TV    | PPS           | 25VA      | 50cm ETFE 19/0.2  | Viton    | WRAS & UL |
| RSF76Y100TV    | PPS           | 25VA      | 100cm ETFE 19/0.2 | Viton    | WRAS & UL |
| RSF76Y100RN    | PPS           | 25VA      | 100cm PVC 16/0.2  | Nitrile  | WRAS & UL |
| RSF78H100RN    | PP (UL)       | 100VA     | 100cm PVC 16/0.2  | Nitrile  | UL        |
| RSF78Y100RN    | PP (UL)       | 25VA      | 100cm PVC 16/0.2  | Nitrile  | UL        |
| RSF73HNP       | Nylon         | 100VA     | M12 connection    | Nitrile  | WRAS      |
| RSF73YNP       | Nylon         | 25VA      | M12 connection    | Nitrile  | WRAS      |
| RSF74HNP       | Polypropylene | 100VA     | M12 connection    | Nitrile  | WRAS      |
| RSF74YNP       | Polypropylene | 25VA      | M12 connection    | Nitrile  | WRAS      |
| RSF76HNP       | PPS           | 100VA     | M12 connection    | Nitrile  | WRAS & UL |
| RSF76YNP       | PPS           | 25VA      | M12 connection    | Nitrile  | WRAS & UL |
| RSF78HNP       | PP (UL)       | 100VA     | M12 connection    | Nitrile  | UL        |
| RSF78YNP       | PP (UL)       | 25VA      | M12 connection    | Nitrile  | UL        |

Custom versions can be made for particular applications. Please contact Cynergy3 with your requirements.

### Mechanical Dimensions



Cynergy3 Components Ltd.  
7 Cobham Road  
Ferndown Industrial Estate  
Wimborne, Dorset BH21 7PE  
Telephone +44 (0) 1202 897969

Email: sales@cynergy3.com

ISO9001 CERTIFIED

RSF70 2015

\* 49mm RSF76

\*\* Add 10mm to dims. RSF76

www.cynergy3.com