



RSF70 Series

Compact external fitting via compression seal



- **Compression seal fitting**
- **Available in Nylon, Polypropylene & PPS**
- **25VA & 100VA versions available**
- **Many variants are UL recognised components File No. E171218**
- **WRAS Approved versions**

Technical Specification	RSF73	RSF74	RSF78	RSF76
Material	Nylon	Polypropylene WRAS approved	Polypropylene UL approved	Polyphenylene Sulphide (PPS)
Colour	Black	Opaque	White	Grey
Temp. Range °C	-20 / +75	-20 / +100	-20 / +100	-10 / +120 *
°F	-4 / +167	-4 / +212	-4 / +212	+14 / +248 *
Min. Fluid SG	0.85	0.85	0.85	0.85
Must close level (SG=1)	7mm	8mm	8mm	9mm
Must open level (SG=1)	20mm	20mm	20mm	24mm

* Maximum temperature requires ETFE cable to be specified.

Electrical Specification		25W (Y code)	100W (H code)
Contact Form		N/O (N/C)	N/O (N/C)
Switching Power Max	VA	25	100
Switching Voltage AC Max	V	240	300
Switching Voltage DC Max	V	120	300
Switching Current Max	A	0.6	1

All ratings are for resistive load only.

RSF70 series is designed for fitting through a tank wall from the outside, where access to the inside for fitting is not possible.

Typical applications include vending machines, commercial dishwashers and auxiliary tanks on vehicles.

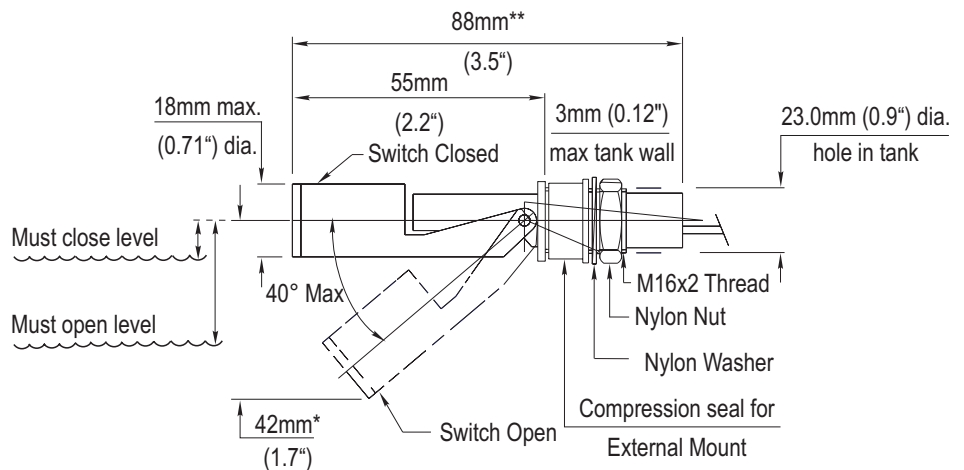
These are manufactured in a variety of plastics, with a choice of gasket materials, to suit most commonly used liquids.

Standard Parts	Material	Temp Range	Max Power	Leadouts	Gasket	Approvals
RSF73H100RN	Nylon	-20°C to +75°C	100VA	100cm PVC 16/0.2	Nitrile	WRAS
RSF73Y100RN	Nylon	-20°C to +75°C	25VA	100cm PVC 16/0.2	Nitrile	WRAS
RSF74H100RN	Polypropylene	-20°C to +100°C	100VA	100cm PVC 16/0.2	Nitrile	WRAS
RSF74Y100RN	Polypropylene	-20°C to +100°C	25VA	100cm PVC 16/0.2	Nitrile	WRAS
RSF76H050TV	PPS	-10°C to +105°C	100VA	50cm ETFE 19/0.2	Viton	WRAS & UL
RSF76H100RN	PPS	-10°C to +120°C	100VA	100cm PVC 16/0.2	Nitrile	WRAS & UL
RSF76Y050TV	PPS	-10°C to +105°C	25VA	50cm ETFE 19/0.2	Viton	WRAS & UL
RSF76Y100RN	PPS	-10°C to +120°C	25VA	100cm PVC 16/0.2	Nitrile	WRAS & UL
RSF78H100RN	PP (UL)	-20°C to +100°C	100VA	100cm PVC 16/0.2	Nitrile	UL
RSF78Y100RN	PP (UL)	-20°C to +100°C	25VA	100cm PVC 16/0.2	Nitrile	UL

The switch action may be reversed by mounting the device with the float able to move upwards away from the body, instead of the more normal downwards direction.

Custom versions can be made for particular applications. Please contact Cynergy3 with your requirements.

Mechanical Dimensions



- * 49mm RSF76
- ** Add 10mm to dims. RSF76

Cynergy3 Components Ltd.
7 Cobham Road
Ferndown Industrial Estate
Wimborne, Dorset BH21 7PE
Telephone +44 (0) 1202 897969

Email: sales@cynergy3.com

ISO9001 CERTIFIED

www.cynergy3.com