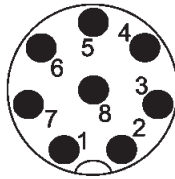


M12 PushPull Connector

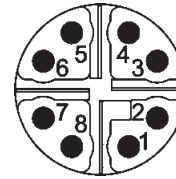


Mating face



A-coding
Mating face
acc. to IEC 61076-2-101

Mating face



X-coding
Mating face
acc. to IEC 61076-2-119



Circular Connectors

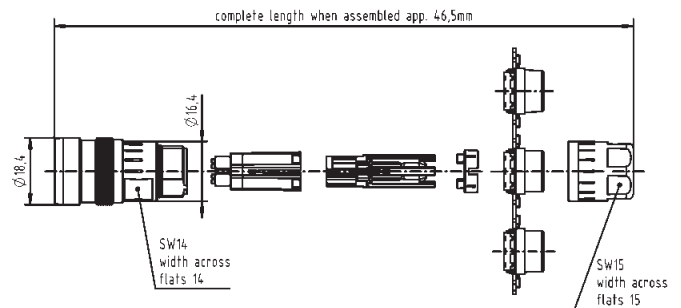
Identification Part number Drawing Dimensions in mm

M12 PushPull Slim design



Male
straight version
8 poles, A-coding, IP54
Cable diameter: 5.7 - 8.8 mm

21 03 821 1830



M12 PushPull Slim design

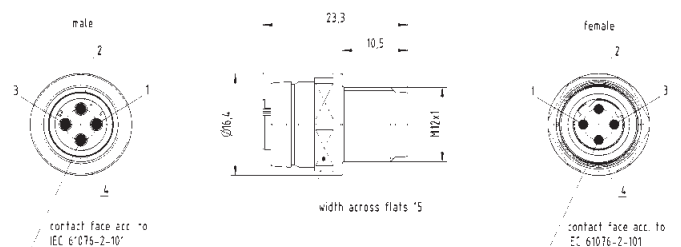


Male
straight version
8 poles, X-coding, IP54
Cable diameter: 5.7 - 8.8 mm

21 03 881 1830

M12 PushPull adapter

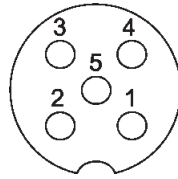
21 03 381 2403



The adapter can be used to bring a PushPull feature on a standard receptacle housing without PushPull feature.



Mating face



A-coding
Mating face
acc. to IEC 61076-2-101



Identification

Part number

Drawing

Dimensions in mm

M12 PCB adapter, shielded



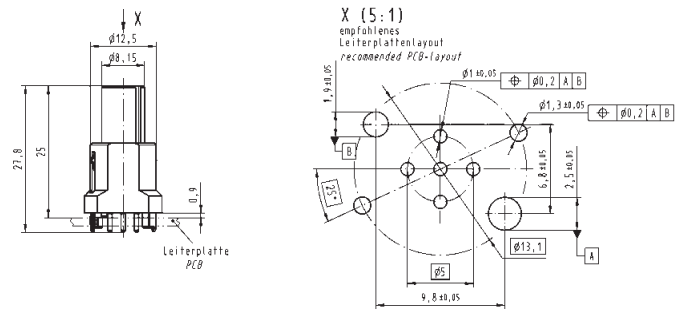
Packaging: 60 pieces in a tray
Order housing separately

Female
5 poles, A-coding

8 poles, A-coding

21 03 321 2518*

21 03 321 2818*



Housing for PushPull locking



for front mounting

21 03 301 2003

