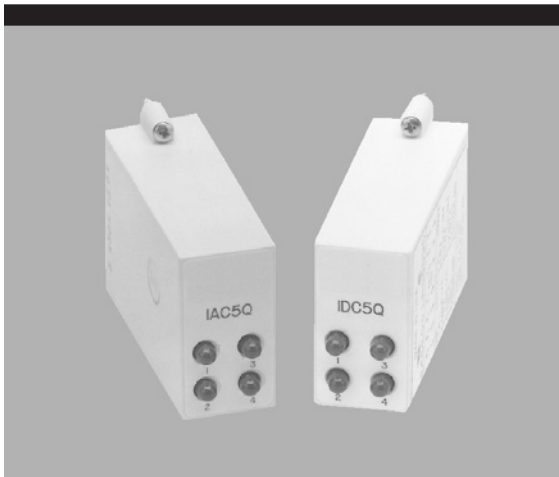


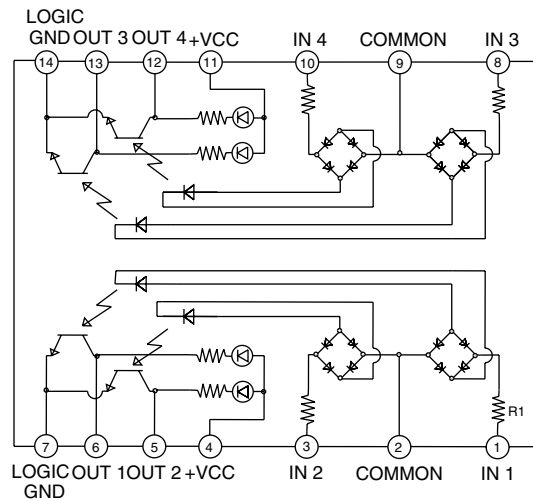
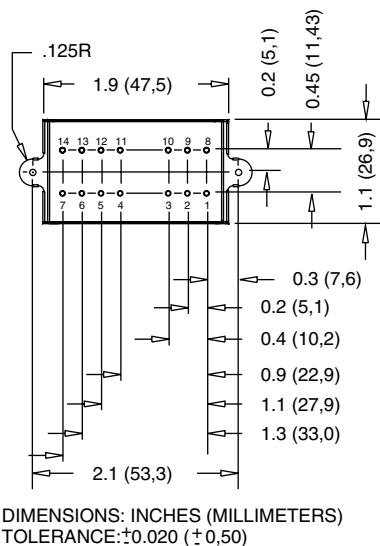
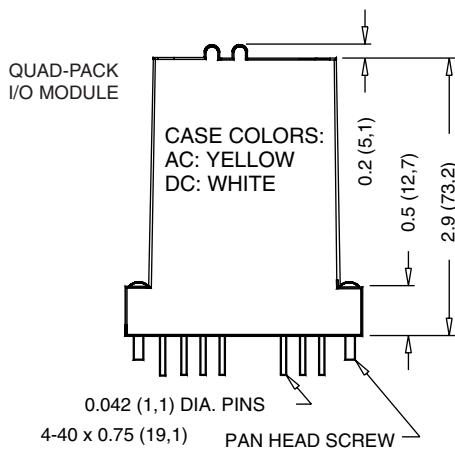
DIGITAL I/O MODULES

QUAD-PACK INPUT MODULES

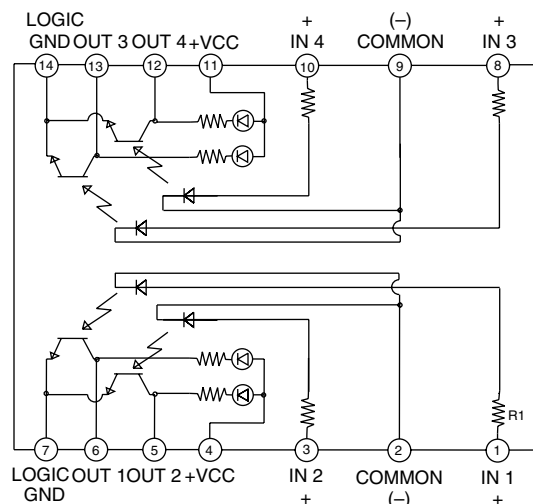


FEATURES:

- CE Compliant
- Plug into Mounting Boards for Quad-Pack Modules
- AC Inputs for 24 V, 120 V, 240 V
- DC Inputs for 4 to 32 V, 10 to 60 V
- 4 Input Circuits per Module
- UL Recognized (E46203)/CSA Certified (38595)
- 4 kV Optical Isolation
- Open-Collector Output
- Industry Standard Packaging



IAC5Q, IAC5AQ, IDC5Q EQUIVALENT CIRCUIT



IDC5BQ EQUIVALENT CIRCUIT

Products and specifications subject to change without notice.
Consult factory for application assistance.

DIGITAL I/O MODULES

QUAD-PACK INPUT MODULES

INPUT SPECIFICATIONS: (1)

Model Number Parameter	IAC5Q	IAC5AQ	IAC5EQ	IDC5Q	IDC5BQ
Nominal Voltage	120 VAC	240 VAC	24 VAC	12-48 VDC	5-28 VDC
Maximum Voltage	140 VAC/VDC	280 VAC/VDC	36 VAC/VDC	60 VDC/VAC	32 VDC
Minimum Voltage	90 VAC/VDC	180 VAC/VDC	18 VAC/VDC	10 VDC/VAC	4.0 VDC
Resistance (2) (3)	28K	75 kΩ	3.3 kΩ	2 kΩ	500 Ω
Maximum Current (4)	6 mArms	5 mArms	10 mArms	34 mA	68 mA
Drop-out Current (5)	2.0 mArms	1.5 mArms	1.0 mArms	1.0 mA	1.0 mA
Allowable Current/ Voltage for No Output (6)	2.5 mArms 50 VAC/VDC	2.0 mArms 50 VAC/VDC	1.5 mArms 10 VAC/VDC	1.5 mA 4.0 VDC	1.5 mA 2.0 VDC

OUTPUT SPECIFICATIONS: (1)

Model Number	IAC5Q IAC5AQ IAC5EQ IDC5Q IDC5BQ	Units
Nominal Logic Supply Voltage	5.0	VDC
Maximum Logic Supply Voltage	6.0	VDC
Minimum Logic Supply Voltage	3.0	VDC
Maximum Logic Supply Current (7)	16.0	mA
Maximum Logic Supply Leakage (8)	10.0	μA
Maximum Voltage (9)	30.0	VDC
Maximum Current (10)	50.0	mA
Maximum Leakage (11)	10.0	μA
Maximum Voltage Drop (12)	0.2	VDC

GENERAL SPECIFICATIONS: (1)

Model Number Parameter	IAC5Q, IAC5AQ	IAC5EQ	IDC5Q	IDC5BQ	Units
Operating Temperature Range	-30 to 80	-30 to 80	-30 to 80	-30 to 80	°C
Storage Temperature Range	-40 to 100	-40 to 100	-40 to 100	-40 to 100	°C
Maximum Turn-on Time (13)	20	60	5.0	0.05	mSec
Maximum Turn-off Time (13)	20	30	5.0	0.10	mSec
Input/Output Isolation Voltage (14)	4000	4000	4000	4000	VAC
Input/Output Capacitance (typical)	8	8	8	8	pF
Line Frequency Range	47 to 63	47 to 63	DC	DC	Hertz

TABLE OF MODEL NUMBER SUFFIXES IDENTIFYING OPTIONAL FEATURES

Suffix	Feature
A	High voltage versions (240 VAC for AC modules).
B	Fast switching version of DC modules.
E	Low voltage 24 VAC input for AC modules.
Q	Four-channel quad-pack module.

Notes:

- (1) Specifications apply to an ambient temperature of -30 to 80°C unless otherwise noted.
- (2) Resistance values for IAC Quad Modules are effective impedance values at 25°C.
- (3) Resistance values are +/-10% at 25°C.
- (4) Measured at maximum specified input voltage, 25°C.
- (5) Defined as the maximum current allowed through the module's input to guarantee that the output will switch from "on" to "off." Higher currents may result in the output remaining in the "on" state.
- (6) Defined as the maximum current allowed through the module's input that will not switch the module's output state from "off" to "on."
- (7) With external LED status indicator at maximum specified logic supply voltage and 25°C. 18 mA without external LED status indicator.
- (8) At maximum specified logic voltage and 25°C.
- (9) Maximum allowable applied voltage across open collector output transistor.
- (10) Maximum allowable sinking current through open collector output transistor.
- (11) At maximum output voltage and 25°C.
- (12) At maximum allowable output current and 25°C.
- (13) At nominal logic supply voltage, 25 mA output sinking current, nominal input voltage and 25°C.
- (14) At 25°C for 1 second maximum duration.

Products and specifications subject to change without notice.
Consult factory for application assistance.