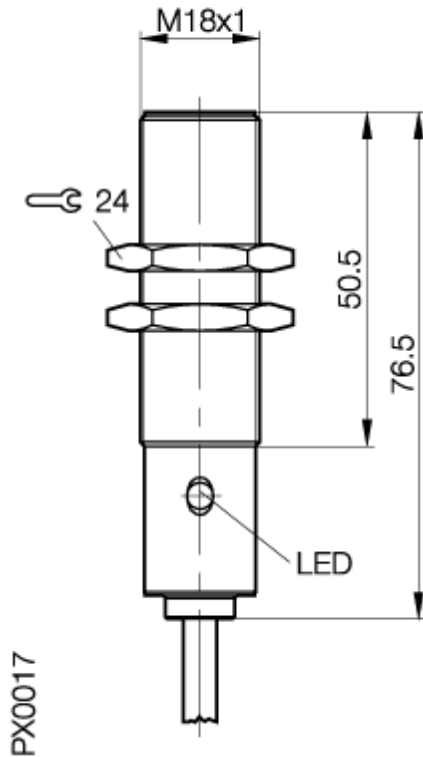


**Inductive Sensors**  
**BES 516-326-BO-H**  
**M18x1 x 76.5**  
**normally-open**  
**Sn=5mm**  
**shielded**



**Common Data**

Mounting in steel	shielded
Rated operating distance Sn	5mm
Assured operating distance Sa	0...4.0mm
Repeatability R	<= 5%
Hysteresis	<= 15%
Function indication	yes
Ambient temperature range	-25...+70°C
Polution Degree	3
IEC-Code	I1A18AP1
Time delay before availability	<= 10ms

**Mechanical Data**

Measurements BxHxT or DxT	M18x1 x 76.5mm
Housing material	nickel plated brass
Material of sensing face	PA 12
Degree of protection	IP68 acc. BWN Pr 20IP
Connection	Cable
Cable type	LiYY-O
Schock: Halfsinus, 30 gn, 11ms	
Vibration: 55 Hz, 1mm Amplitude, 3 x 30 Minutes	

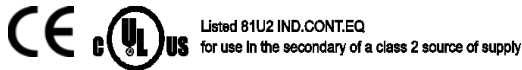
**Electrical Data**

Current type	DC
Wiring	3-Wire
switching function	normally-open
Output signal	PNP
Rated operational voltage	24 DCV
Rated operational current	200mA
Supply voltage	10...55 DCV
Ripple	<= 15%
Rated supply frequency	DCHz
max. switching frequency	900Hz
Minimum operational current	0mA
No-load supply current	<= 12/<= 4mA
Off-state current	<= 10µA
Voltage drop	<= 1.5/-V
Short circuit protection	yes
Protected against polarity reversal	yes



**Remarks**

When overload is removed, sensor resumes function



Utilization categories DC 13  
 Insulation class II

Datasheet number:

Definitions see general catalog.  
 If not otherwise noted, ratings according to IEC 60947-5-2 (DIN EN60947-5-2)

Balluff GmbH  
 P.O.Box 1160  
 73761 Neuhausen Germany  
 Phone (07158) 173-0 Fax (07158) 5010

Datenblatt by CD-ROM - 10/2004

