

Specifications

Ver.1.1

Product Name

PIR MOTION SENSOR "PaPIRs"

Model No.

EKMC260611□K

Page: 1

1. Product Name

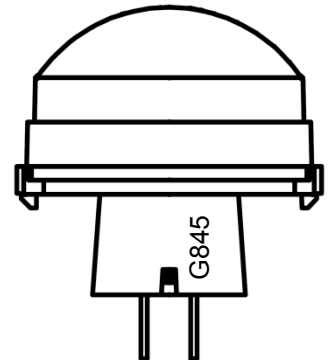
PIR MOTION SENSOR "PaPIRs"

VZ series · High density long distance detection type (170μA / Analog output)

2. Model Number

| Lens Color | Model Number |
|-------------|--------------|
| White | EKMC2606111K |
| Black | EKMC2606112K |
| Pearl White | EKMC2606113K |

Marking

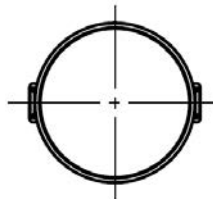


G 8 45

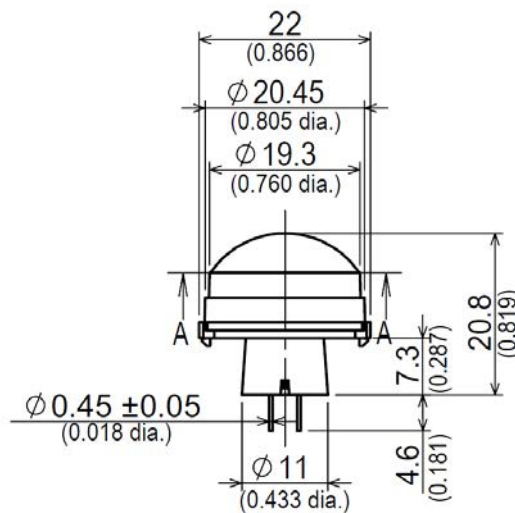
a) b) c)

3. Dimensions

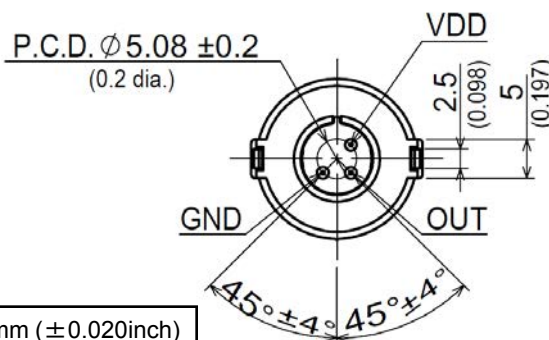
Top VIEW



Side VIEW



Bottom VIEW

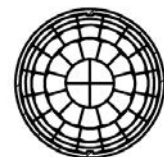


a) The Marking which was shown by a list shown below

| Marking | Model Number |
|---------|--------------|
| A | EKMC160611□ |
| B | EKMB130611□K |
| C | EKMB110611□ |
| D | EKMB120611□ |
| E | EKMB260611□ |
| F | |
| G | EKMC260611□K |
| H | EKMC460611□K |
| I | |
| J | |
| K | |

b) Last-digit of the year
(Ex:2010=0,2011=1,...)

c) Lot No.
1st week of Jan. will be 01,
and further No. of 02,03,
will continue up to 53.



SECTION A-A

General Tolerance ±0.5mm (±0.020inch)

Panasonic Corporation

Approved by

Checked by

Designed by

Issued on Nov. 30th,2017

Specifications

Ver.1.1

Product Name

PIR MOTION SENSOR "PaPIRs"

Model No.

EKMC260611□K

Page: 2

4.Characteristics

4-1 Detection Performance

Conditions for measuring: Ambient temperature=25°C(77° F) Operating voltage=5VDC

| | | Value | Conditions concerning the target |
|------------------------|------------------|------------------|--|
| ※Detection Sensitivity | | $\pm 0.22V \leq$ | 1.The temperature difference between the target and the surroundings should be superior to 4°C.(7.2° F) 2.Movement speed: 1.0m/s 3.Target concept is human body (Size:Around 700×250mm) 4.Detection range is 12m. |
| Detection Area | Horizontal | 62° (±31°) | |
| | Vertical | 62° (±31°) | |
| | Detection zones* | 128 | |

※The detection range is about 12m however, depending on the target's speed and its temperature difference with the surroundings, detection can occur at a range superior to the value above. Therefore, before using, please confirm the detection characteristics under the usage environment.

*Refer to the "detection area" diagram in section 4-5.

4-2 Maximum Rated Values

| | Value | Unit |
|----------------------------|--|------|
| Power Supply Voltage | -0.3~7.0 | VDC |
| Usable Ambient Temperature | -20~+60°C (-4~+140° F) Do not use in a freezing or condensation environment | |
| Storage Temperature | -20~+70°C (-4~+158° F) | |

4-3 Electrical Characteristics

Conditions for Measuring: Ambient temperature: 25°C(77° F)

| Subject | Symbol | Min | Avg. | Max | Unit | Special mention |
|--|--------|-----|------|-----|------|---|
| Operating Voltage | Vdd | 3.0 | — | 5.5 | VDC | — |
| Electrical Current Consumption | Iw | — | 170 | 350 | μA | Iout=0 |
| Output Current | Iout | — | — | 200 | μA | — |
| Analog Output Saturated Voltage | High | Vh | 1.9 | — | V | — |
| | Low | Vl | — | 0.2 | V | — |
| Output offset average voltage | Vos | 1.0 | 1.1 | 1.2 | V | Steady-state output voltage when not detecting. |
| Steady-state noise | Vn | — | 80 | 150 | mV | — |
| Circuit Stability Time (when voltage is applied) | Twu | — | — | 30 | s | — |

Issued on Mar. 27th,2018

Panasonic Corporation

(SKC0410-P01.02,140701)