

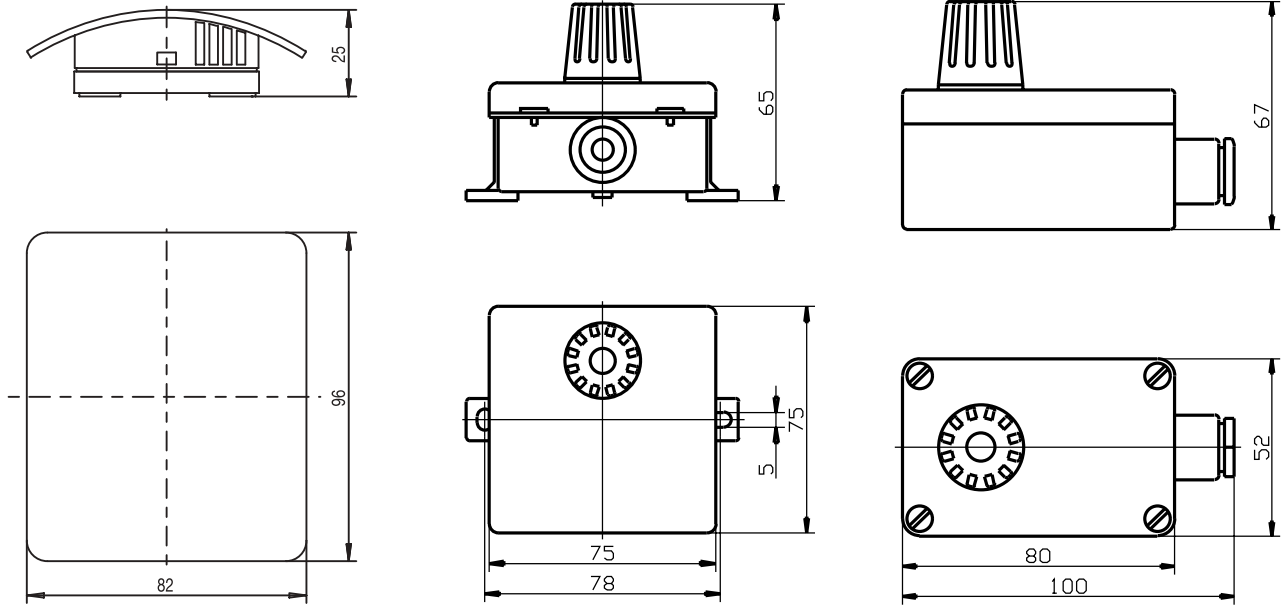
Delivery address: Mackenrodtstraße 14,  
36039 Fulda, Germany  
Postal address: 36035 Fulda, Germany  
Phone: +49 661 6003-0  
Fax: +49 661 6003-607  
E-mail: mail@jumo.net  
Internet: www.jumo.net

JUMO House  
Temple Bank, Riverway  
Harlow, Essex CM 20 2TT, UK  
Phone: +44 1279 635533  
Fax: +44 1279 635262  
E-mail: sales@jumo.co.uk  
Internet: www.jumo.co.uk

885 Fox Chase, Suite 103  
Coatesville PA 19320, USA  
Phone: 610-380-8002  
1-800-554-JUMO  
Fax: 610-380-8009  
E-mail: info@JumoUSA.com  
Internet: www.JumoUSA.com



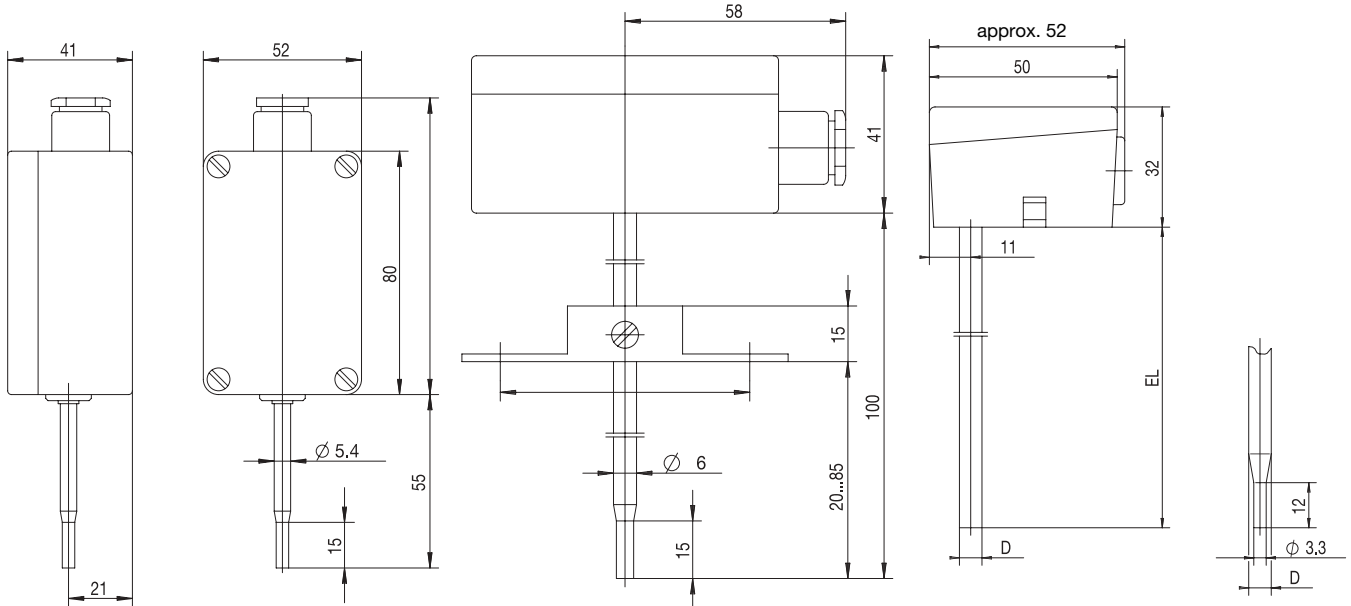
Dimensions



Type 902523/10

Type 902523/11

Type 902523/12



Type 902523/13

Type 902523/20

Type 902523/25

Delivery address: Mackenrodtstraße 14,  
36039 Fulda, Germany  
Postal address: 36035 Fulda, Germany  
Phone: +49 661 6003-0  
Fax: +49 661 6003-607  
E-mail: mail@jumo.net  
Internet: www.jumo.net

JUMO House  
Temple Bank, Riverway  
Harlow, Essex CM 20 2TT, UK  
Phone: +44 1279 635533  
Fax: +44 1279 635262  
E-mail: sales@jumo.co.uk  
Internet: www.jumo.co.uk

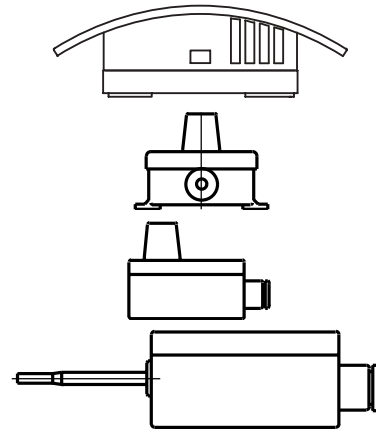
885 Fox Chase, Suite 103  
Coatesville PA 19320, USA  
Phone: 610-380-8002  
1-800-554-JUMO  
Fax: 610-380-8009  
E-mail: info@JumoUSA.com  
Internet: www.JumoUSA.com



**Order details: Indoor, outdoor and duct resistance thermometers**

**(1) Basic version**

				902523/10	Indoor resistance thermometer, Protection IP20
				902523/11	Indoor and outdoor resistance thermometer, Protection IP54
				902523/12	Indoor and outdoor resistance thermometer, Protection IP65
				902523/13	Indoor and outdoor resistance thermometer with stepped protection tube, Protection IP65
				<b>(2) Operating temperature in °C</b>	
			x x	568	-30 to +60°C (range only in conjunction with extra code 330 or 333)
x	x	x	x	572	-30 to +80°C (standard)
x		x	x	803	0 to 40°C (range only in conjunction with extra code 330 or 333)
x		x	x	807	0 to 60°C (range only in conjunction with extra code 330 or 333)
				<b>(3) Measuring insert</b>	
x			x	1001	1 x Pt100 in 3-wire circuit
x	x	x	x	1003	1 x Pt100 in 2-wire circuit
x	x	x	x	1005	1 x Pt1000 in 2-wire circuit
x	x	x	x	1009	1 x Ni 1000 in 2-wire circuit
x				2001	2 x Pt100 in 3-wire circuit
		x	x	2003	2 x Pt100 in 2-wire circuit
				<b>(4) Tolerance class to EN 60 751</b>	
x	x	x	x	1	Class B (standard)
x	x	x	x	2	Class A (not for Type 902523/10 and transmitter)
x	x	x	x	3	Class 1/3 DIN (not for Type 902523/10 and transmitter)
				<b>(5) Extra codes</b>	
x	x	x	x	000	no extra code
x	x	x	x	330	analog transmitter, 4 – 20mA output (in conjunction with 1 x Pt100)*
x	x	x	x	333	analog transmitter, 0 – 10V output (in conjunction with 1 x Pt100)*



**Order code**                      (1)            (2)            (3)            (4)            (5)  
 \_\_\_\_\_ - \_\_\_\_\_ - \_\_\_\_\_ - \_\_\_\_\_ / \_\_\_\_\_ , ...  
**Order example**                      902523/10 - 572 - 1001 - 1 / 000<sup>1</sup>

\* Please specify range in plain text.  
 1. List extra codes in sequence, separated by commas.